

# TITAN ELECTRIC 3-SECTION METAL HI-LO TREATMENT TABLE



**SKU #6083**

Titan is the ideal choice for someone needing a quality table with a short lead time. Act quickly as supply of these tables is limited.

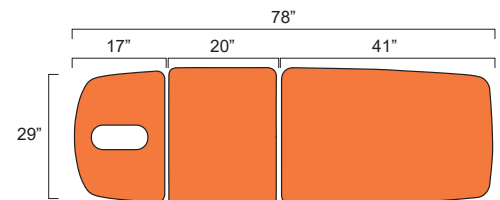


***Ships within 5 Days!***

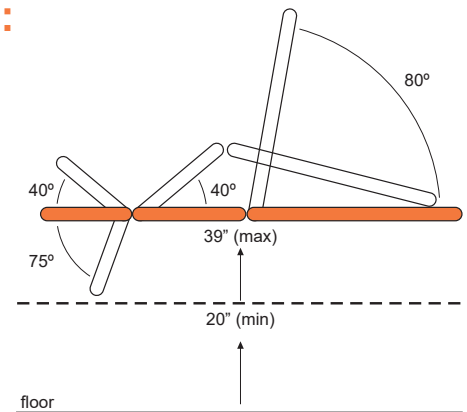
## FEATURES:

- Wide footprint gives stability yet easily lifts onto positioning casters with foot levers
- Easy release and lock gas spring supports for headrests, backrests, and split legs
- Dual foot and hand controls for height adjustment.
- 2 ½" Semi-firm urethane comfort foam with vinyl upholstery
- Nose-cutout with filler pad
- 17" Headrest with nose-cutout with Gas spring support and Raises to 40° and drops to -75°
- 20" Mid Section with Motorized waist stretch rises to 40° and Hand controlled operation
- 41" Backrest/Leg-Section with Gas spring support and Raises to 80°
- Weight capacity: 440lb (200kg)
- Available in Black vinyl and cream color powder coat finish

## SIZE:



## TILT ANGLE:



***Request a Quote Today!***

***Visit us online at [hausmann.com](http://hausmann.com) or by scanning the QR code >>>***

