

# MAMMOTH 2

## 2-Section Hi-Lo Examination Table - 7702



**MAMMOTH**  
BY HAUSMANN

Introducing the new Hausmann Mammoth 2 examination table. It has a durable steel frame and features high-quality Pro-Form vinyl. It is proudly assembled and upholstered in the USA. A new addition to our table portfolio with the same quality and long-lasting durability you expect from Hausmann.

**Large adjustable headrest**

Angles up to 70°

**Upholstered top 30" wide and 76" long**

Extra width to accommodate more patients

**Highly durable and long-lasting steel frame**

15-year warranty on frame

**No end-to-end movement**

Perfect for tight spaces

**550-pound weight capacity**

Lifts a wider range of patients

7702\* Custom SKU shown

**W<sup>3</sup>**

**= WIDTH & WEIGHT & WARRANTY**



### METAL COLOR

Cool Gray

### VINYL COLORS

V19-Navy Blue

V20-Dove Gray

V21-Forest Green

V22-Deep Wine

V23-Black

V24-American Beauty

V25-Claret

V26-Royal Blue

V27-Purple

V28-Regimental Blue

V29-Bright Blue

V30-Brown

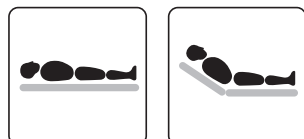
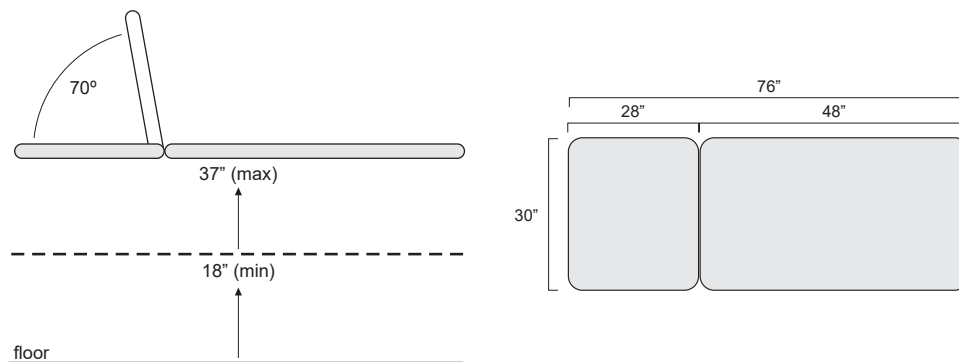
V31-Orange

V32-Pencil Gray

## Key Features & Options

- Width: 30-inch wide upholstered top
- Weight: 550-pound weight capacity
- Warranty: 3-years on the switches and upholstery, 5-years on the motor and 15-years on the steel frame providing long-term reliability
- Two (2) foot switches for placement around the table
- Tables take up less operational space with no end-to-end movement
- Heavy duty independently lockable casters
- 2.5" tabletop featuring rounded corners and firm foam padding
- Durable heavyweight Pro-Form vinyl upholstery - withstands heavy cleaning and disinfecting (see manual for more information)
- Convenient and easy set-up
- Available in both Standard and Custom SKU configurations

## Specifications



SKU	W	L	METAL	VINYL
7702-L00V20	30"	76"	Cool Gray	Dove Gray
7702*	30"	76"	Cool Gray	Custom