

Dealer Name: \_\_\_\_\_

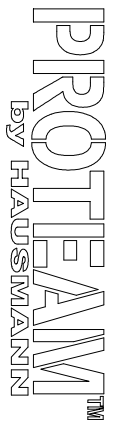
Dealer P/O # \_\_\_\_\_

Facility Name: \_\_\_\_\_

**A9512-A9517 Series**

Order # \_\_\_\_\_

Job # \_\_\_\_\_



**LAMINATE COLOR:**

- 346 Natural Oak
- 927 Folkstone Gray
- 5904 Wild Cherry
- Other: \_\_\_\_\_

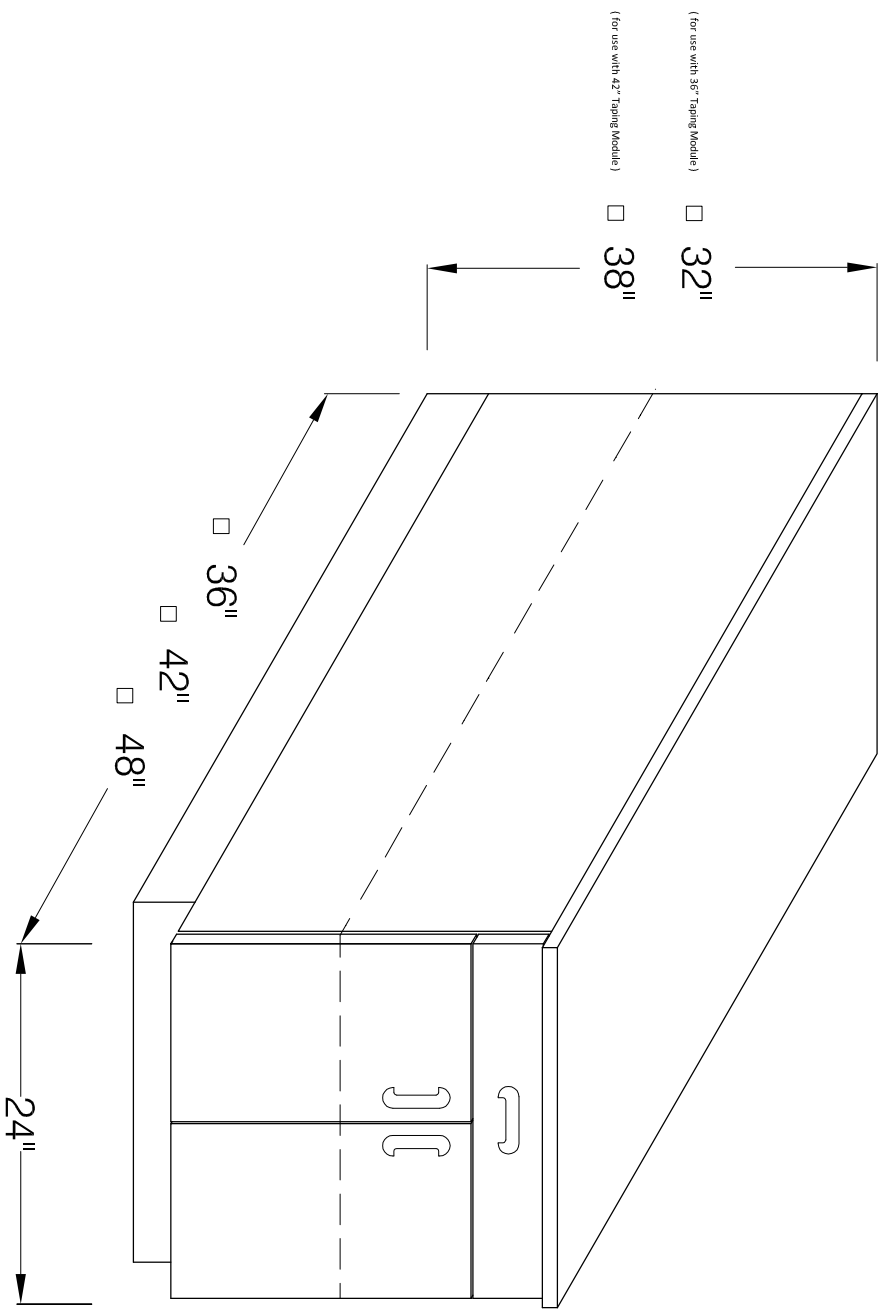
**OPTIONS:**

(Mark on Drawing Where Required)

- |                               |                              |                               |                                 |
|-------------------------------|------------------------------|-------------------------------|---------------------------------|
| _____                         | Qty. _____                   | _____                         | Qty. _____                      |
| <input type="checkbox"/> A923 | 3 Drawers (In Line of Doors) | <input type="checkbox"/> A946 | Lock / Bolt (Double Doors Only) |
| <input type="checkbox"/> A924 | Waste Hamper & Cut-Out       | <input type="checkbox"/> A947 | Wire Pull, Satin Finish         |
| <input type="checkbox"/> A945 | Lock (Drawers Only)          | <input type="checkbox"/> A927 | Front Pull-Out Stand & Drawer   |

**LOGO:**

- A911 Laminate Wall Plate
- A912 Laminate Storage Top



Dealer Name: \_\_\_\_\_

A9500 - A9511 Series

Dealer P/O # \_\_\_\_\_

Order # \_\_\_\_\_

Facility Name: \_\_\_\_\_

Job # \_\_\_\_\_



PROTEAM™  
by HAUSMANN

LAMINATE COLOR:

- 346 Natural Oak
- 927 Folkstone Gray
- 5904 Wild Cherry
- Other: \_\_\_\_\_

VINYL COLOR:

- 718 Navy Blue
- 722 Dove Gray
- 723 Forest Green
- 724 Deep Wine
- 725 Black
- 726 American Beauty
- 728 Claret
- 729 Royal Blue
- 731 Regimental Blue
- Other: \_\_\_\_\_

OPTIONS:

(Mark on Drawing Where Required)

- |   |            |  |            |
|---|------------|--|------------|
| <input type="checkbox"/> A914 Extra Drawer                    | Qty. _____ | <input type="checkbox"/> A944 Full Height Doors                        | Qty. _____ |
| <input type="checkbox"/> A918 Full Extension Pull-Out         | _____      | <input type="checkbox"/> A945 Lock (Side Access Doors or Drawers Only) | _____      |
| <input type="checkbox"/> A923 3 Drawers (In lieu of Doors)    | _____      | <input type="checkbox"/> A946 Lock / Bolt (Double Doors Only)          | _____      |
| <input checked="" type="checkbox"/> A926 Upholstered Backrest | _____      | <input type="checkbox"/> A947 Wire Pull, Satin Finish                  | _____      |
| <input type="checkbox"/> A943 Hinged Side Access Door         | _____      | <input type="checkbox"/> A927 Front Pull-Out Stand & Drawer            | _____      |
|   |            | <input type="checkbox"/> A929 Side Pull Out Stand                      | _____      |

# A926

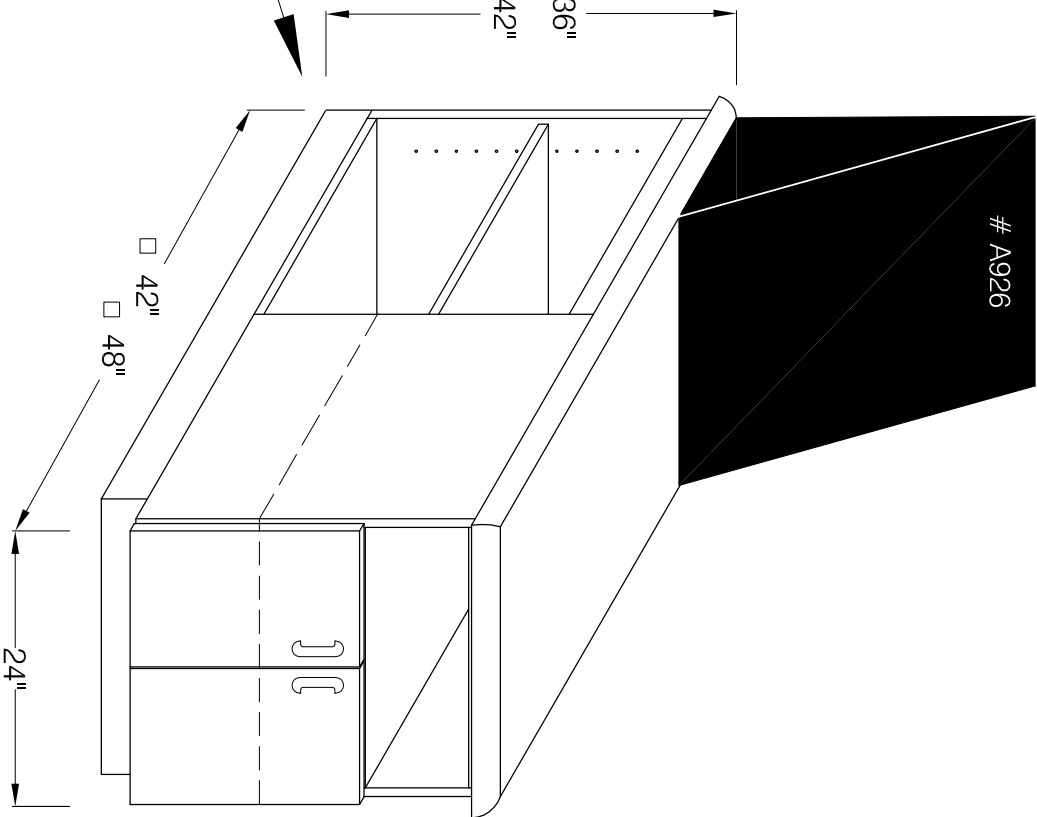
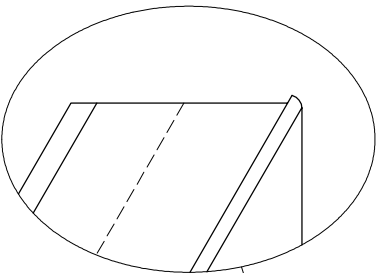
Side Storage (As Shown)

OR

Front Storage Only, w/Solid Sides (See Below)

- 36"
- 42"

- 42"
- 48"



LOGO:

- A902 Deboss Vinyl
- A904-8 Emboss Vinyl

Dealer Name: \_\_\_\_\_

Dealer P/O # \_\_\_\_\_

Facility Name: \_\_\_\_\_

A9500 - A9511 Series

Order # \_\_\_\_\_

Job # \_\_\_\_\_



PROTEAM™  
by HAUSMANN

LAMINATE COLOR:

- 346 Natural Oak
- 927 Folkstone Gray
- 5904 Wild Cherry
- Other: \_\_\_\_\_

VINYL COLOR:

- 718 Navy Blue
- 722 Dove Gray
- 723 Forest Green
- 724 Deep Wine
- 725 Black
- 726 American Beauty
- 728 Claret
- 729 Royal Blue
- 731 Regimental Blue
- Other: \_\_\_\_\_

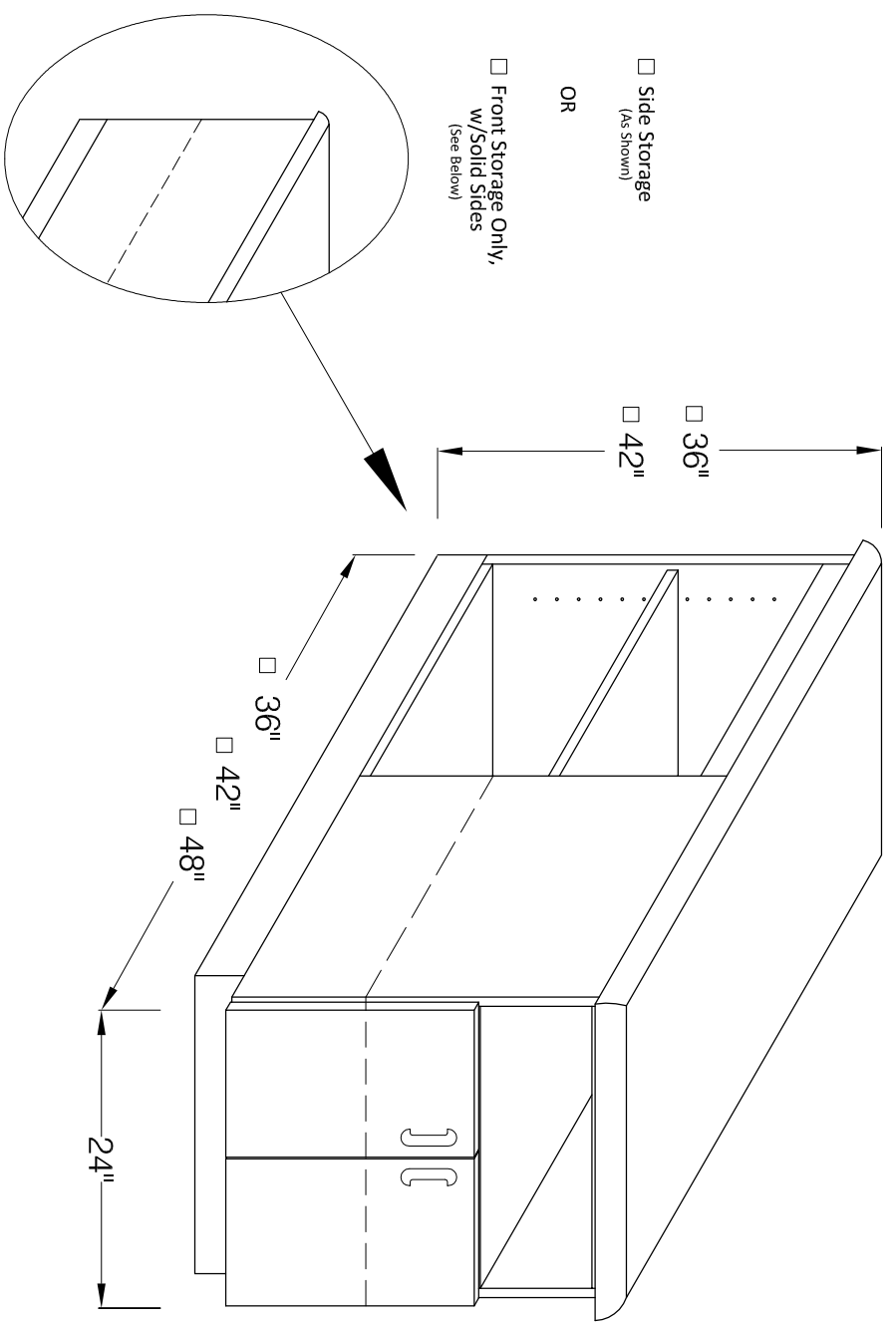
OPTIONS:

- |  |            |  |            |
|--|------------|--|------------|
| <input type="checkbox"/> A914 Extra Drawer                 | Qty. _____ | <input type="checkbox"/> A945 Lock (Side Access Doors or Drawers Only) | Qty. _____ |
| <input type="checkbox"/> A918 Full Extension Pull-Out      | _____      | <input type="checkbox"/> A946 Lock / Bolt (Double Doors Only)          | _____      |
| <input type="checkbox"/> A923 3 Drawers (in lieu of Doors) | _____      | <input type="checkbox"/> A947 Wire Pull, Satin Finish                  | _____      |
| <input type="checkbox"/> A941 Laminate Top                 | _____      | <input type="checkbox"/> A927 Front Pull-Out Stand & Drawer            | _____      |
| <input type="checkbox"/> A943 Hinged Side Access Door      | _____      | <input type="checkbox"/> A929 Side Pull Out Stand                      | _____      |
| <input type="checkbox"/> A944 Full Height Doors            | _____      | <input type="checkbox"/> A9250 Wall Pad, 24" x 24"                     | _____      |

(Mark on Drawing Where Required)

LOGO:

- A902 Deboss Vinyl
- A904-8 Emboss Vinyl
- A911 Laminate Wall Plate
- A912 Laminate Storage Top



Dealer Name: \_\_\_\_\_

Dealer P/O # \_\_\_\_\_

Facility Name: \_\_\_\_\_

A9400-A9401 Series

Order # \_\_\_\_\_

Job # \_\_\_\_\_



PROTEAMM  
by HAUSMANN

**LAMINATE COLOR:** \_\_\_\_\_

346 Natural Oak

927 Folkstone Gray

5904 Wild Cherry

Other: \_\_\_\_\_

**VINYL COLOR:** \_\_\_\_\_

718 Navy Blue

722 Dove Gray

723 Forest Green

724 Deep Wine

725 Black

726 American Beauty

728 Claret

729 Royal Blue

731 Regimental Blue

Other: \_\_\_\_\_

**OPTIONS:** (Mark on Drawing Where Required)

\_\_\_\_\_ QTY: \_\_\_\_\_

A941 Laminate Top (Tipping Modules Only)

A945 Lock (Side Access Doors or Drawers Only)

A946 Lock / Bolt (Double Doors Only)

A947 Wire Pull, Satin Finish

\_\_\_\_\_ QTY: \_\_\_\_\_

**Unit Orientation :** \_\_\_\_\_

As Shown

Opposite

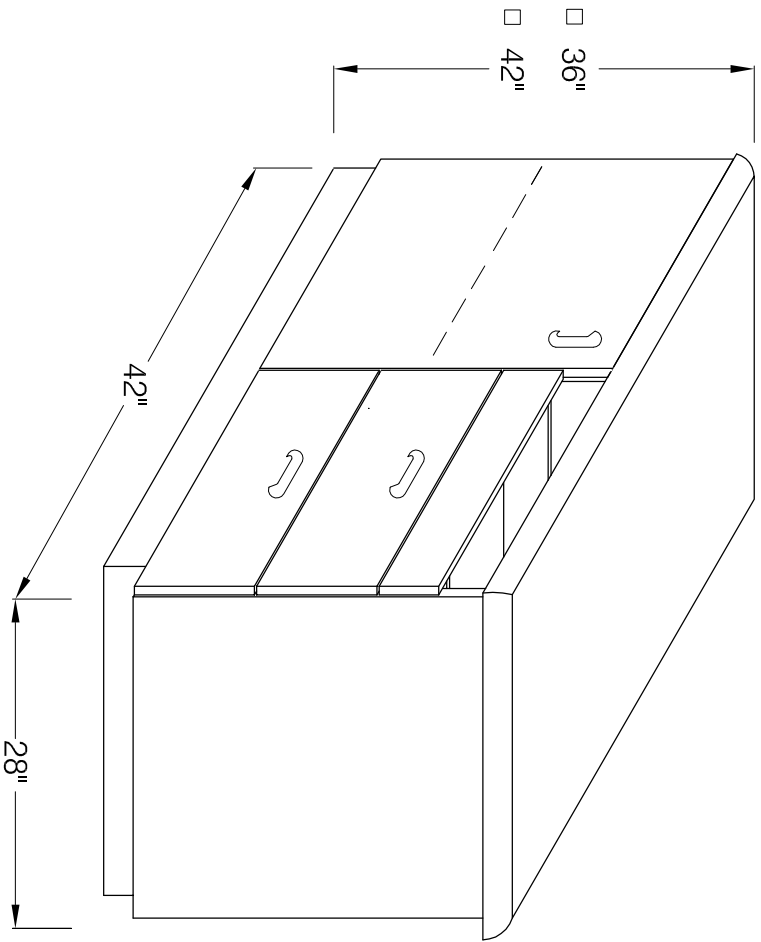
**LOGO:** \_\_\_\_\_

A902 Deboss Vinyl

A904-8 Emboss Vinyl

A911 Laminate Wall Plate

A912 Laminate Storage Top



Dealer Name: \_\_\_\_\_

Dealer P/O # \_\_\_\_\_

Facility Name: \_\_\_\_\_

A9400-A9401 Series

Order # \_\_\_\_\_

Job # \_\_\_\_\_



PROTEAMM  
by HAUSMANN

LAMINATE COLOR:

346 Natural Oak

927 Folkstone Gray

5904 Wild Cherry

Other: \_\_\_\_\_

VINYL COLOR:

<input type="checkbox"/> 718 Navy Blue	<input type="checkbox"/> 726 American Beauty
<input type="checkbox"/> 722 Dove Gray	<input type="checkbox"/> 728 Claret
<input type="checkbox"/> 723 Forest Green	<input type="checkbox"/> 729 Royal Blue
<input type="checkbox"/> 724 Deep Wine	<input type="checkbox"/> 731 Regimental Blue
<input type="checkbox"/> 725 Black	<input type="checkbox"/> Other: _____

OPTIONS: (Mark on Drawing Where Required)

<input checked="" type="checkbox"/> A926 Upholstered Backrest	_____	QTY: _____
<input type="checkbox"/> A941 Laminate Top (Tearing Modifies Only)	_____	_____
<input type="checkbox"/> A945 Lock (Side Access Doors or Drawers Only)	_____	QTY: _____
<input type="checkbox"/> A946 Lock / Bolt (Double Doors Only)	_____	_____
<input type="checkbox"/> A947 Wire Pull, Satin Finish	_____	_____

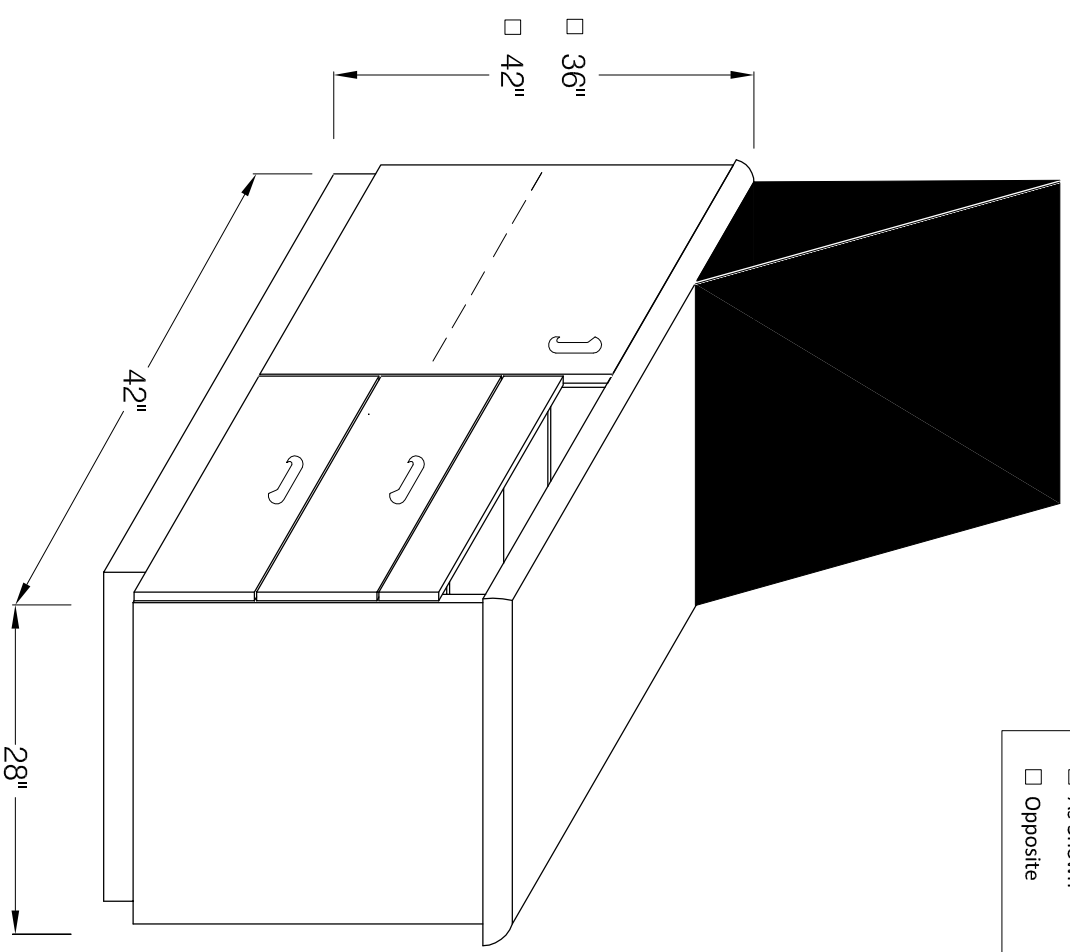
Unit Orientation :

As Shown

Opposite

LOGO:

<input type="checkbox"/> A902 Deboss Vinyl	<input type="checkbox"/> A911 Laminate Wall Plate
<input type="checkbox"/> A904-8 Emboss Vinyl	<input type="checkbox"/> A912 Laminate Storage Top



Dealer Name: \_\_\_\_\_

Dealer P/O # \_\_\_\_\_

Facility Name: \_\_\_\_\_

A9520 Series

Order # \_\_\_\_\_

Job # \_\_\_\_\_



LAMINATE COLOR:

- 346 Natural Oak
- 927 Folkstone Gray
- 5904 Wild Cherry
- Other: \_\_\_\_\_

VINYL COLOR:

- 718 Navy Blue
- 722 Dove Gray
- 723 Forest Green
- 724 Deep Wine
- 725 Black
- 726 American Beauty
- 728 Claret
- 729 Royal Blue
- 731 Regimental Blue
- Other: \_\_\_\_\_

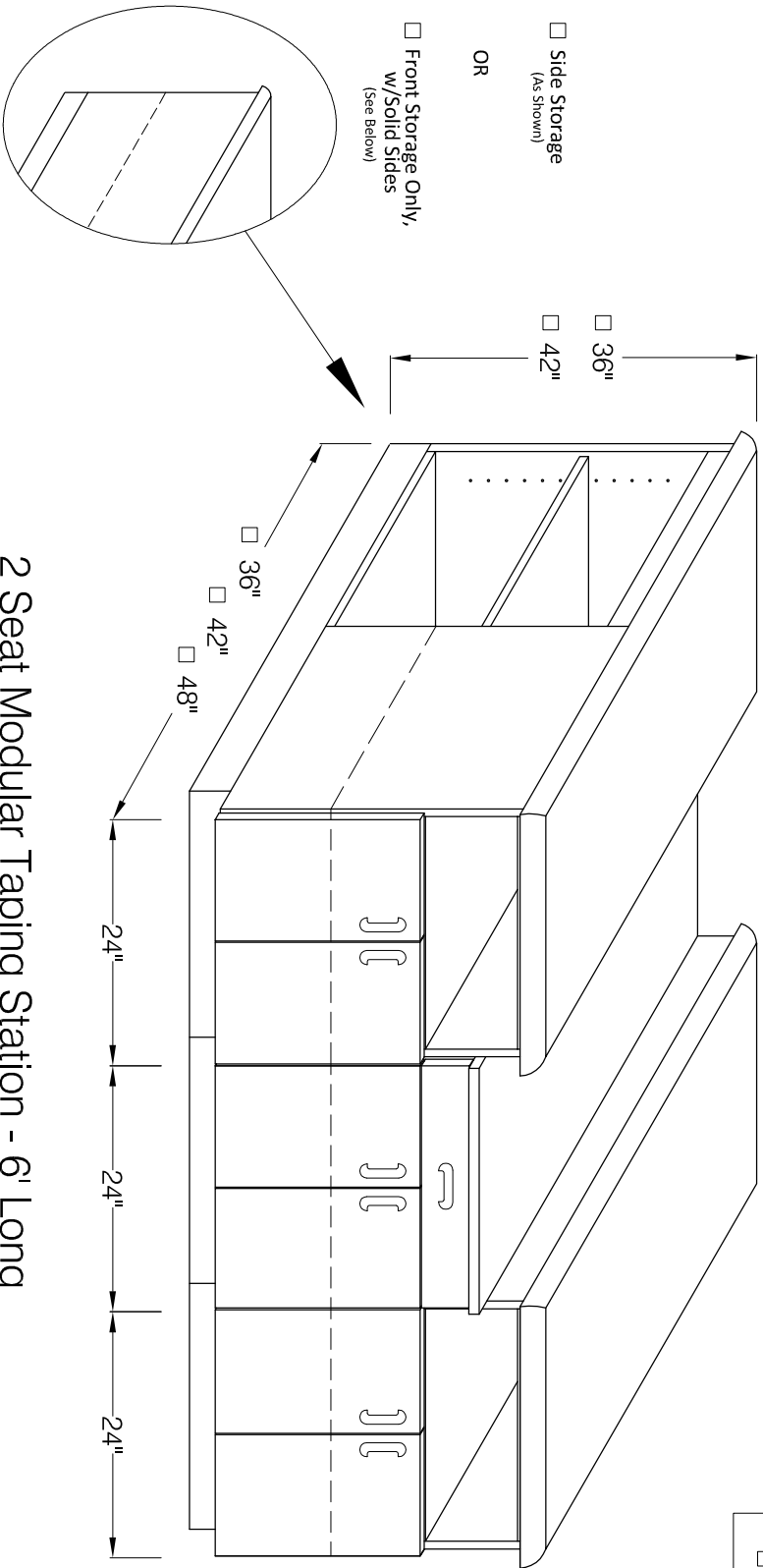
OPTIONS:

(Mark on Drawing Where Required)

- |  |            |  |            |
|--|------------|--|------------|
| <input type="checkbox"/> A914 Extra Drawer                       | QTY: _____ | <input type="checkbox"/> A944 Full Height Doors                        | QTY: _____ |
| <input type="checkbox"/> A918 Full Extension Pull-Out            | _____      | <input type="checkbox"/> A945 Lock (Side Access Doors or Drawers Only) | _____      |
| <input type="checkbox"/> A923 3 Drawers (in lieu of Doors)       | _____      | <input type="checkbox"/> A946 Lock / Bolt (Double Doors Only)          | _____      |
| <input type="checkbox"/> A924 Waste Hamper & Cut-Out             | _____      | <input type="checkbox"/> A947 Wire Pull, Satin Finish                  | _____      |
| <input type="checkbox"/> A941 Laminate Top (Taping Modules Only) | _____      | <input type="checkbox"/> A927 Front Pull-Out Stand & Drawer            | _____      |
| <input type="checkbox"/> A943 Hinged Side Access Door            | _____      | <input type="checkbox"/> A929 Side Pull Out Stand                      | _____      |
|  |            | <input type="checkbox"/> A9250 Wall Pad, 24" X 24"                     | _____      |

LOGO:

- A902 Deboss Vinyl
- A904-8 Emboss Vinyl
- A911 Laminate Wall Plate
- A912 Laminate Storage Top



2 Seat Modular Taping Station - 6' Long

Dealer Name: \_\_\_\_\_

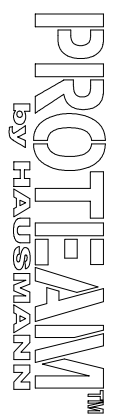
A9520 Series

Dealer P/O # \_\_\_\_\_

Order # \_\_\_\_\_

Facility Name: \_\_\_\_\_

Job # \_\_\_\_\_



**LAMINATE COLOR:**

346 Natural Oak

927 Folkstone Gray

5904 Wild Cherry

Other: \_\_\_\_\_

**VINYL COLOR:**

718 Navy Blue

722 Dove Gray

723 Forest Green

724 Deep Wine

725 Black

726 American Beauty

728 Claret

729 Royal Blue

731 Regimental Blue

Other: \_\_\_\_\_

**OPTIONS:** (Mark on Drawing Where Required)

<input type="checkbox"/> A914 Extra Drawer	QTY: _____	<input type="checkbox"/> A943 Hinged Side Access Door	QTY: _____
<input type="checkbox"/> A918 Full Extension Pull-Out	_____	<input type="checkbox"/> A944 Full Height Doors	_____
<input type="checkbox"/> A923 3 Drawers (in lieu of Doors)	_____	<input type="checkbox"/> A945 Lock (Side Access Doors or Drawers Only)	_____
<input type="checkbox"/> A924 Waste Hamper & Cut-Out	_____	<input type="checkbox"/> A946 Lock / Bolt (Double Doors Only)	_____
<input checked="" type="checkbox"/> A926 Upholstered Backrest	_____	<input type="checkbox"/> A947 Wire Pull, Satin Finish	_____
<input type="checkbox"/> A941 Laminate Top (Taping Modules Only)	_____	<input type="checkbox"/> A927 Front Pull-Out Stand & Drawer	_____
		<input type="checkbox"/> A929 Side Pull Out Stand	_____

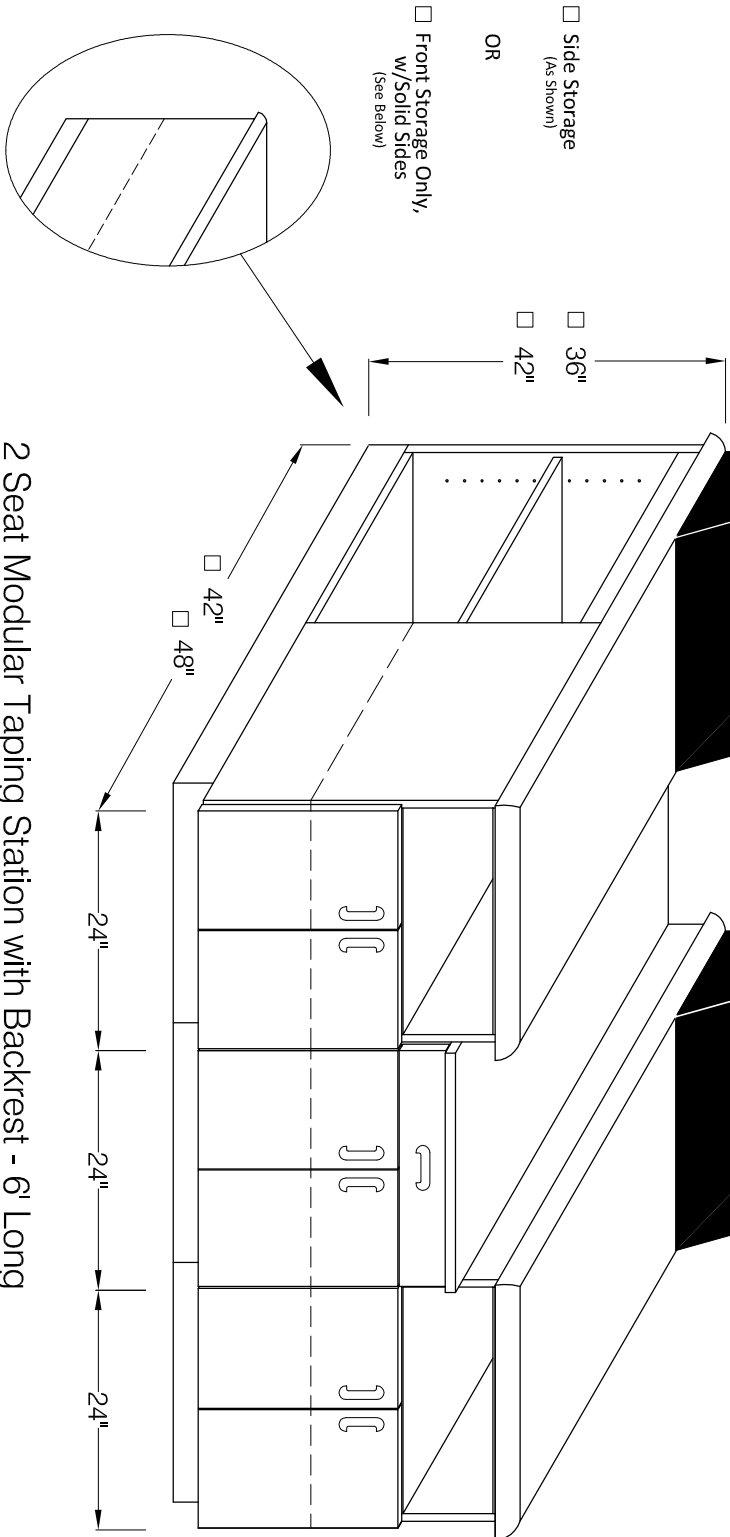
**LOGO:**

A902 Deboss Vinyl

A904-8 Emboss Vinyl

A911 Laminate Wall Plate

A912 Laminate Storage Top



2 Seat Modular Taping Station with Backrest - 6' Long

Dealer Name: \_\_\_\_\_

A9530 Series

Dealer P/O # \_\_\_\_\_

Order # \_\_\_\_\_

Facility Name: \_\_\_\_\_

Job # \_\_\_\_\_



PROTEAM™  
by HAUSMANN

LAMINATE COLOR:

- 346 Natural Oak
- 927 Folkstone Gray
- 5904 Wild Cherry
- Other: \_\_\_\_\_

VINYL COLOR:

- 718 Navy Blue
- 722 Dove Gray
- 723 Forest Green
- 724 Deep Wine
- 725 Black
- 726 American Beauty
- 728 Claret
- 729 Royal Blue
- 731 Regimental Blue
- Other: \_\_\_\_\_

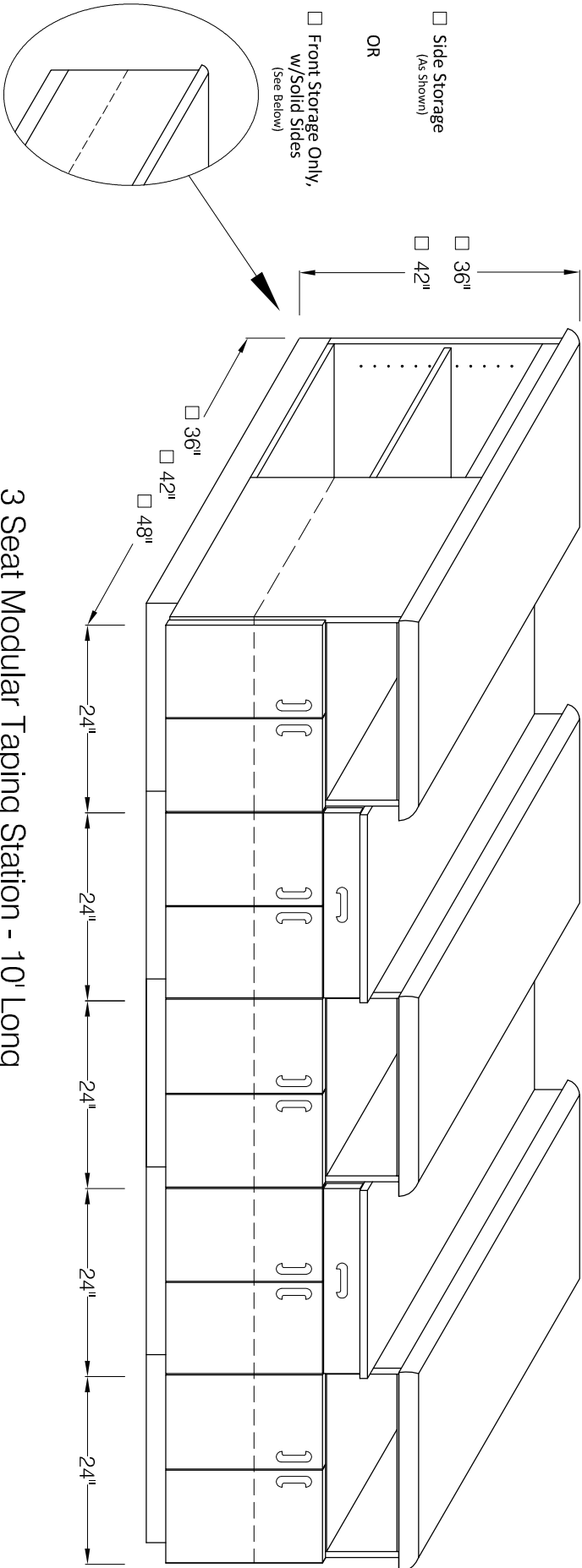
OPTIONS:

(Mark on Drawing Where Required)

- |  |            |  |            |
|--|------------|--|------------|
| <input type="checkbox"/> A914 Extra Drawer                       | QTY: _____ | <input type="checkbox"/> A944 Full Height Doors                        | QTY: _____ |
| <input type="checkbox"/> A918 Full Extension Pull-Out            | _____      | <input type="checkbox"/> A945 Lock (Side Access Doors or Drawers Only) | _____      |
| <input type="checkbox"/> A923 3 Drawers (in lieu of Doors)       | _____      | <input type="checkbox"/> A946 Lock / Bolt (Double Doors Only)          | _____      |
| <input type="checkbox"/> A924 Waste Hamper & Cut-Out             | _____      | <input type="checkbox"/> A947 Wire Pull, Satin Finish                  | _____      |
| <input type="checkbox"/> A941 Laminate Top (Taping Modules Only) | _____      | <input type="checkbox"/> A927 Front Pull-Out Stand & Drawer            | _____      |
| <input type="checkbox"/> A943 Hinged Side Access Door            | _____      | <input type="checkbox"/> A929 Side Pull Out Stand                      | _____      |
|  |            | <input type="checkbox"/> A9250 Wall Pad, 24" X 24"                     | _____      |

LOGO:

- A902 Deboss Vinyl
- A904-8 Emboss Vinyl
- A911 Laminate Wall Plate
- A912 Laminate Storage Top



3 Seat Modular Taping Station - 10' Long



Dealer Name: \_\_\_\_\_

A9530 Series

Dealer P/O # \_\_\_\_\_

Order # \_\_\_\_\_

Facility Name: \_\_\_\_\_

Job # \_\_\_\_\_



PROTEAM  
by HAUSMANN

LAMINATE COLOR:

346 Natural Oak

927 Folkstone Gray

5904 Wild Cherry

Other: \_\_\_\_\_

VINYL COLOR:

718 Navy Blue

722 Dove Gray

723 Forest Green

724 Deep Wine

725 Black

726 American Beauty

728 Claret

729 Royal Blue

731 Regimental Blue

Other: \_\_\_\_\_

OPTIONS: (Mark on Drawing Where Required)

<input type="checkbox"/> A914 Extra Drawer	QTY: _____	<input type="checkbox"/> A943 Hinged Side Access Door	QTY: _____
<input type="checkbox"/> A918 Full Extension Pull-Out	_____	<input type="checkbox"/> A944 Full Height Doors	_____
<input type="checkbox"/> A923 3 Drawers (in lieu of Doors)	_____	<input type="checkbox"/> A945 Lock (Side Access Doors or Drawers Only)	_____
<input type="checkbox"/> A924 Waste Hamper & Cut-Out	_____	<input type="checkbox"/> A946 Lock / Bolt (Double Doors Only)	_____
<input checked="" type="checkbox"/> A926 Upholstered Backrest	_____	<input type="checkbox"/> A947 Wire Pull, Satin Finish	_____
<input type="checkbox"/> A941 Laminate Top (Taping Modules Only)	_____	<input type="checkbox"/> A927 Front Pull-Out Stand & Drawer	_____
		<input type="checkbox"/> A929 Side Pull Out Stand	_____

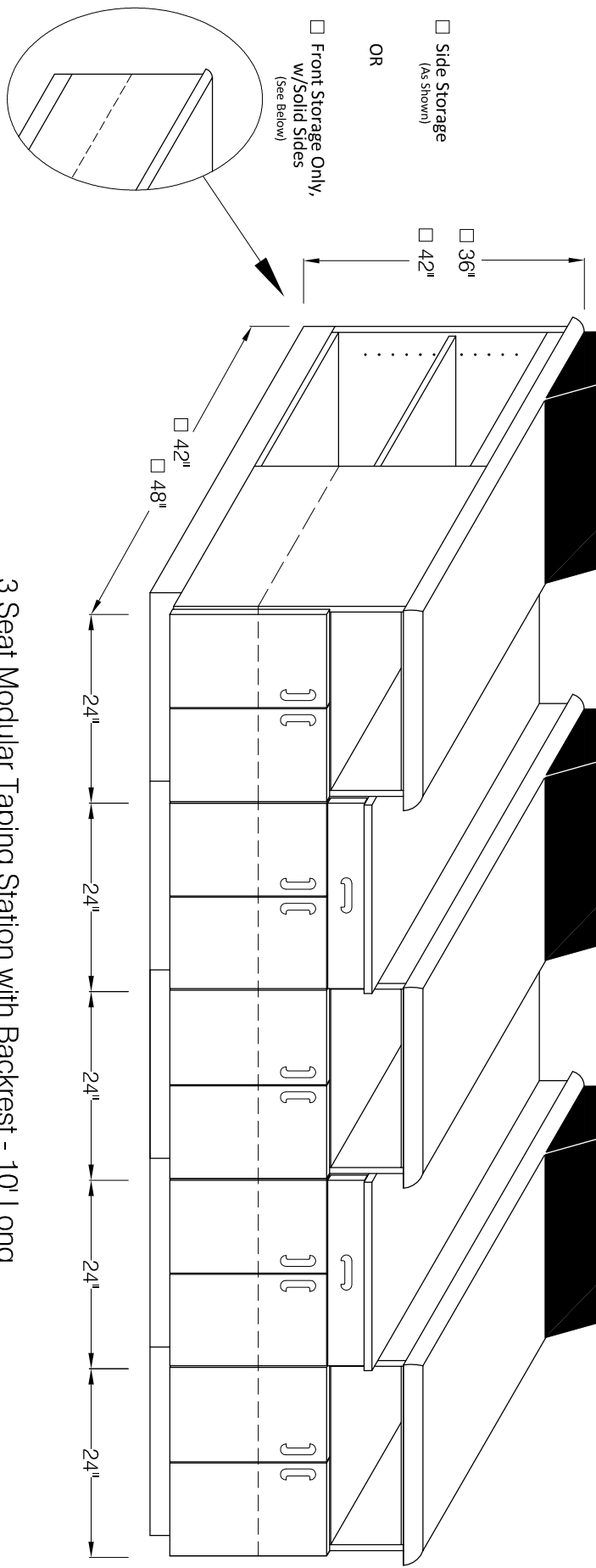
LOGO:

A902 Deboss Vinyl

A904-8 Emboss Vinyl

A911 Laminate Wall Plate

A912 Laminate Storage Top



3 Seat Modular Taping Station with Backrest - 10' Long

Dealer Name: \_\_\_\_\_

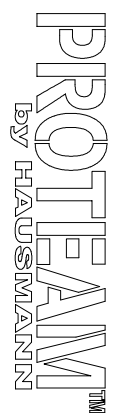
Dealer P/O # \_\_\_\_\_

Facility Name: \_\_\_\_\_

A9540 Series

Order # \_\_\_\_\_

Job # \_\_\_\_\_



**LAMINATE COLOR:**

346 Natural Oak

927 Folkstone Gray

5904 Wild Cherry

Other: \_\_\_\_\_

**VINYL COLOR:**

718 Navy Blue

722 Dove Gray

723 Forest Green

724 Deep Wine

725 Black

726 American Beauty

728 Claret

729 Royal Blue

731 Regimental Blue

Other: \_\_\_\_\_

**OPTIONS:** (Mark on Drawing Where Required)

<input type="checkbox"/> A914 Extra Drawer	QTY: _____	<input type="checkbox"/> A944 Full Height Doors	QTY: _____
<input type="checkbox"/> A918 Full Extension Pull-Out	_____	<input type="checkbox"/> A945 Lock (Side Access Doors or Drawers Only)	_____
<input type="checkbox"/> A923 3 Drawers (in lieu of Doors)	_____	<input type="checkbox"/> A946 Lock / Bolt (Double Doors Only)	_____
<input type="checkbox"/> A924 Waste Hamper & Cut-Out	_____	<input type="checkbox"/> A947 Wire Pull, Satin Finish	_____
<input type="checkbox"/> A941 Laminate Top (Taping Modules Only)	_____	<input type="checkbox"/> A927 Front Pull-Out Stand & Drawer	_____
<input type="checkbox"/> A943 Hinged Side Access Door	_____	<input type="checkbox"/> A929 Side Pull Out Stand	_____
		<input type="checkbox"/> A9250 Wall Pad, 24" X 24"	_____

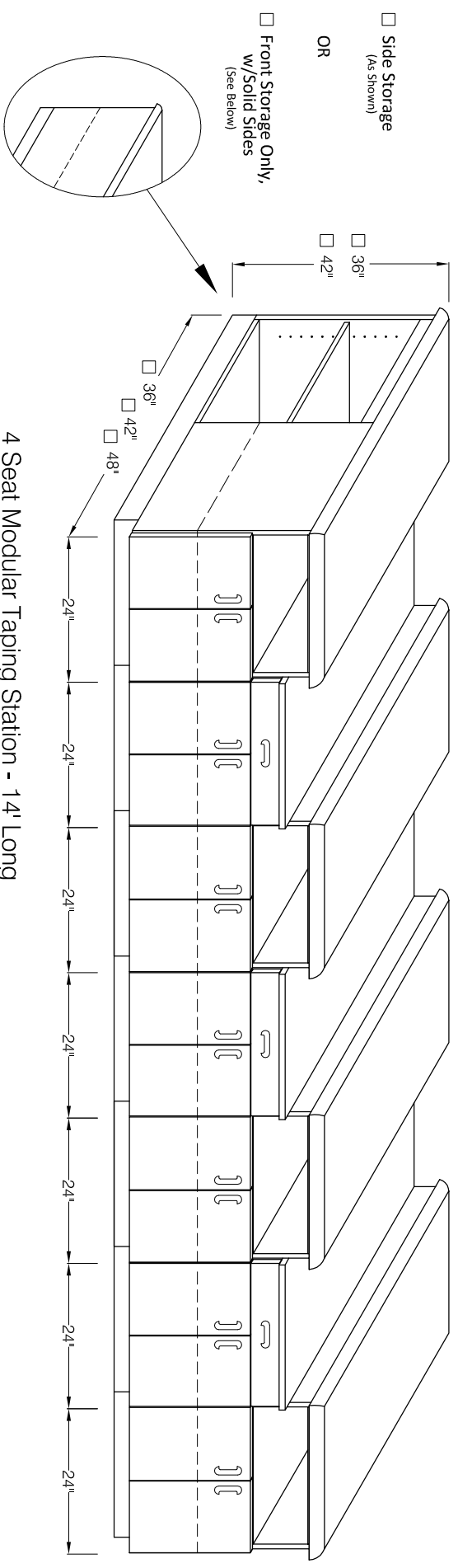
**LOGO:**

A902 Deboss Vinyl

A904-8 Emboss Vinyl

A911 Laminate Wall Plate

A912 Laminate Storage Top



Dealer Name: \_\_\_\_\_

A9540 Series

Dealer P/O # \_\_\_\_\_

Order # \_\_\_\_\_

Facility Name: \_\_\_\_\_

Job # \_\_\_\_\_



PROTEAM™  
By HAUSMANN

**LAMINATE COLOR:**

346 Natural Oak

927 Folkstone Gray

5904 Wild Cherry

Other: \_\_\_\_\_

**VINYL COLOR:**

718 Navy Blue

722 Dove Gray

723 Forest Green

724 Deep Wine

725 Black

726 American Beauty

728 Claret

729 Royal Blue

731 Regimental Blue

Other: \_\_\_\_\_

**LOGO:**

A902 Deboss Vinyl

A904-8 Emboss Vinyl

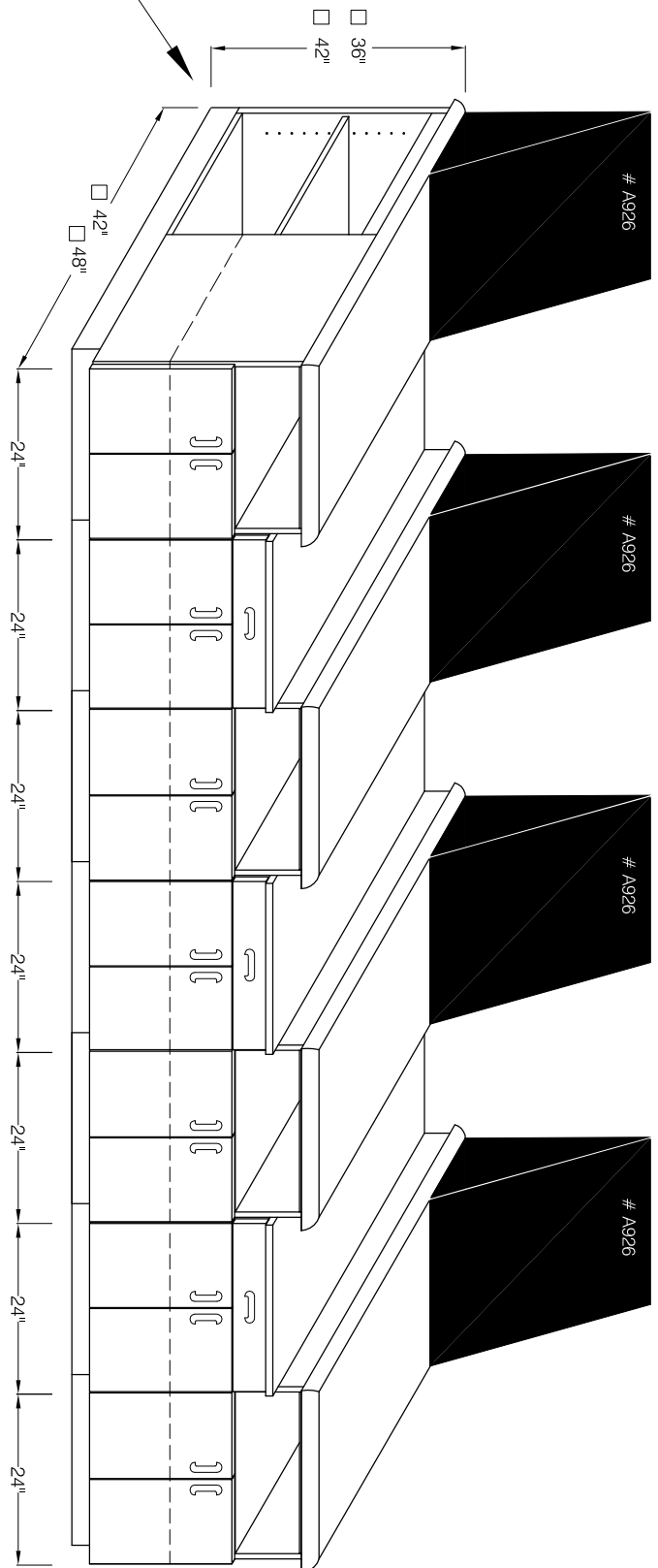
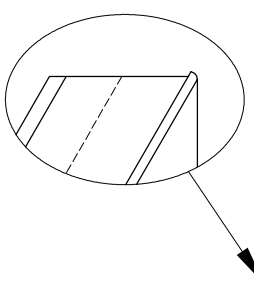
A911 Laminate Wall Plate

A912 Laminate Storage Top

**OPTIONS:** (Mark on Drawing Where Required)

<input type="checkbox"/> A914 Extra Drawer	_____	QTY: _____	<input type="checkbox"/> A943 Hinged Side Access Door	_____	QTY: _____
<input type="checkbox"/> A918 Full Extension Pull-Out	_____		<input type="checkbox"/> A944 Full Height Doors	_____	
<input type="checkbox"/> A923 3 Drawers (in lieu of doors)	_____		<input type="checkbox"/> A945 Lock (Side Access Doors or Drawers Only)	_____	
<input type="checkbox"/> A924 Waste Hamper & Cut-Out	_____		<input type="checkbox"/> A946 Lock / Bolt (Double Doors Only)	_____	
<input checked="" type="checkbox"/> A926 Upholstered Backrest	_____		<input type="checkbox"/> A947 Wire Pull, Satin Finish	_____	
<input type="checkbox"/> A941 Laminate Top (Taping Modules Only)	_____		<input type="checkbox"/> A927 Front Pull-Out Stand & Drawer	_____	
			<input type="checkbox"/> A929 Side Pull Out Stand	_____	

- Side Storage (As Shown)
- OR
- Front Storage Only, w/Solid Slides (See Below)



4 Seat Modular Taping Station with Backrest - 14' Long

Dealer Name: \_\_\_\_\_

Dealer P/O # \_\_\_\_\_

Facility Name: \_\_\_\_\_

A9550 Series

Order # \_\_\_\_\_

Job # \_\_\_\_\_



**LAMINATE COLOR:**

346 Natural Oak

927 Folkstone Gray

5904 Wild Cherry

Other: \_\_\_\_\_

**VINYL COLOR:**

718 Navy Blue

722 Dove Gray

723 Forest Green

724 Deep Wine

725 Black

726 American Beauty

728 Claret

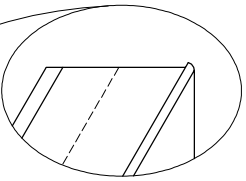
729 Royal Blue

731 Regimental Blue

Other: \_\_\_\_\_

**OPTIONS:** (Mark on Drawing Where Required)

<input type="checkbox"/> A914 Extra Drawer	QTY: _____	<input type="checkbox"/> A944 Full Height Doors	QTY: _____
<input type="checkbox"/> A918 Full Extension Pull-Out	_____	<input type="checkbox"/> A945 Lock (Slide Access Doors or Drawers Only)	_____
<input type="checkbox"/> A923 3 Drawers (in lieu of Doors)	_____	<input type="checkbox"/> A946 Lock / Bolt (Double Doors Only)	_____
<input type="checkbox"/> A924 Waste Hamper & Cut-Out	_____	<input type="checkbox"/> A947 Wire Pull, Satin Finish	_____
<input type="checkbox"/> A941 Laminate Top (Taping Modules Only)	_____	<input type="checkbox"/> A927 Front Pull-Out Stand & Drawer	_____
<input type="checkbox"/> A943 Hinged Side Access Door	_____	<input type="checkbox"/> A929 Side Pull Out Stand	_____
		<input type="checkbox"/> A9250 Wall Pad, 24" X 24"	_____



- Side Storage (As Shown)
- OR
- Front Storage Only, w/Solid Sides (See Detail @ Left)

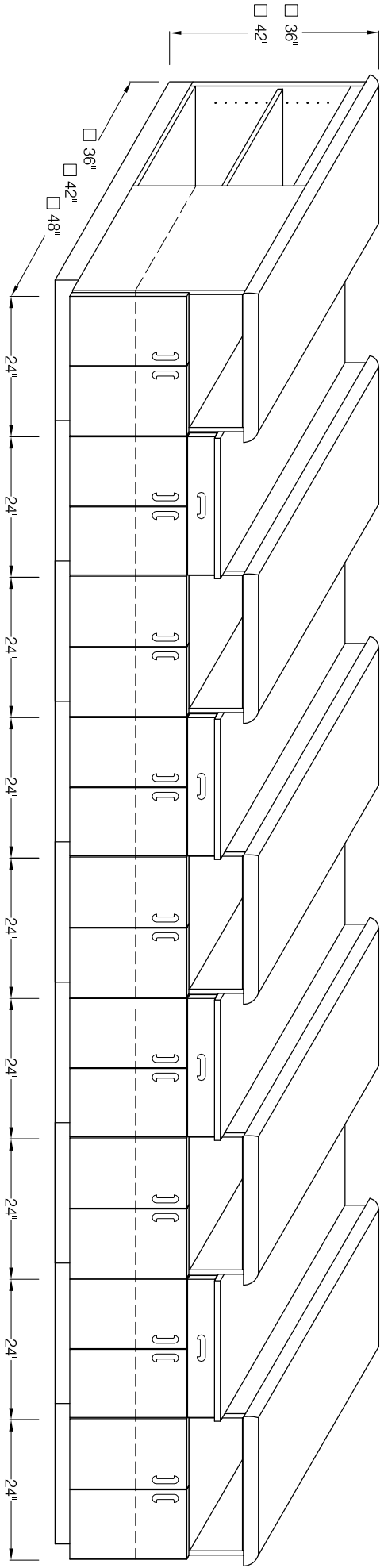
**LOGO:**

A902 Deboss Vinyl

A904-8 Emboss Vinyl

A911 Laminate Wall Plate

A912 Laminate Storage Top



5 Seat Modular Taping Station - 18' Long

Dealer Name: \_\_\_\_\_

Dealer P/O # \_\_\_\_\_

Facility Name: \_\_\_\_\_

A9550 Series

Order # \_\_\_\_\_

Job # \_\_\_\_\_



**LAMINATE COLOR:**

346 Natural Oak

927 Folkstone Gray

5904 Wild Cherry

Other: \_\_\_\_\_

**VINYL COLOR:**

718 Navy Blue

722 Dove Gray

723 Forest Green

724 Deep Wine

725 Black

726 American Beauty

728 Claret

729 Royal Blue

731 Regimental Blue

Other: \_\_\_\_\_

**LOGO:**

A902 Deboss Vinyl

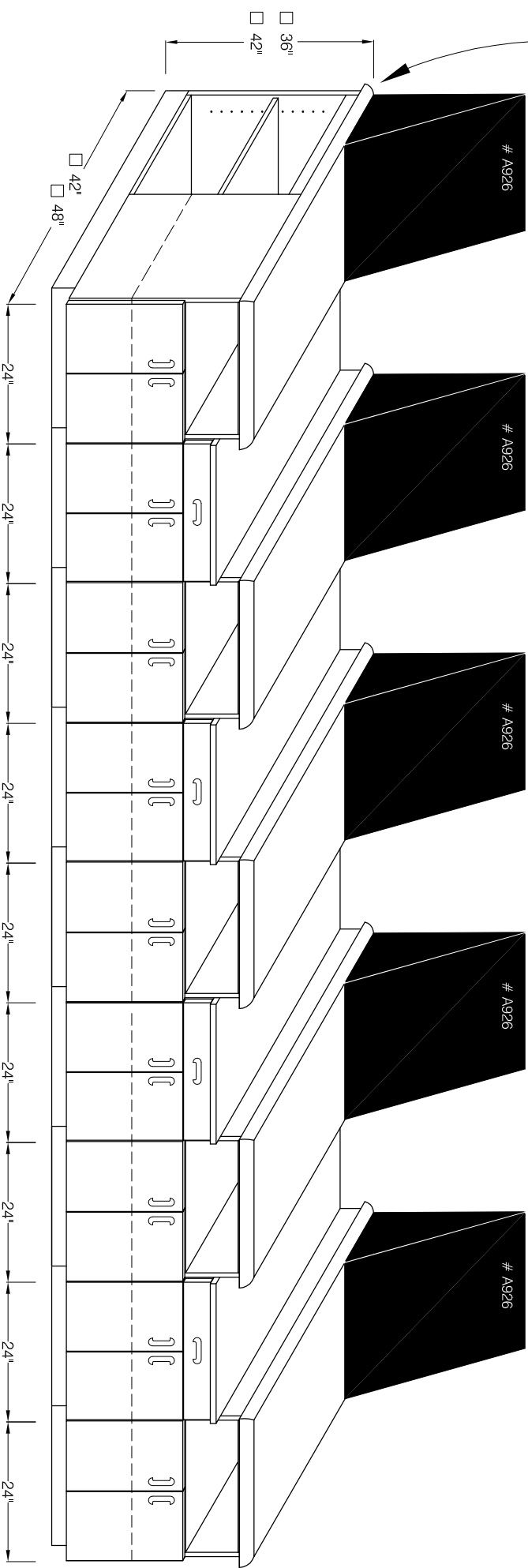
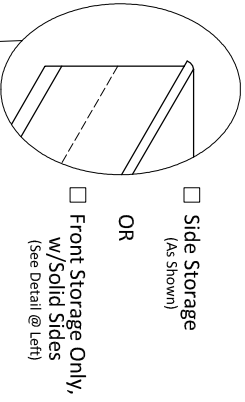
A904-8 Emboss Vinyl

A911 Laminate Wall Plate

A912 Laminate Storage Top

**OPTIONS:** (Mark on Drawing Where Required)

<input type="checkbox"/> A914 Extra Drawer	_____	Qty. _____	<input type="checkbox"/> A943 Hinged Side Access Door	_____	Qty. _____
<input type="checkbox"/> A918 Full Extension Pull-Out	_____		<input type="checkbox"/> A944 Full Height Doors	_____	
<input type="checkbox"/> A923 3 Drawers (in lieu of Doors)	_____		<input type="checkbox"/> A945 Lock (Side Access Doors or Drawers Only)	_____	
<input type="checkbox"/> A924 Waste Hamper & Cut-Out	_____		<input type="checkbox"/> A946 Lock / Bolt (Double Doors Only)	_____	
<input checked="" type="checkbox"/> A926 Upholstered Backrest	_____		<input type="checkbox"/> A947 Wire Pull, Satin Finish	_____	
<input type="checkbox"/> A941 Laminate Top (Taping Modules Only)	_____		<input type="checkbox"/> A927 Front Pull-Out Stand & Drawer	_____	
			<input type="checkbox"/> A929 Side Pull Out Stand	_____	



5 Seat Modular Taping Station with Backrest - 18' Long