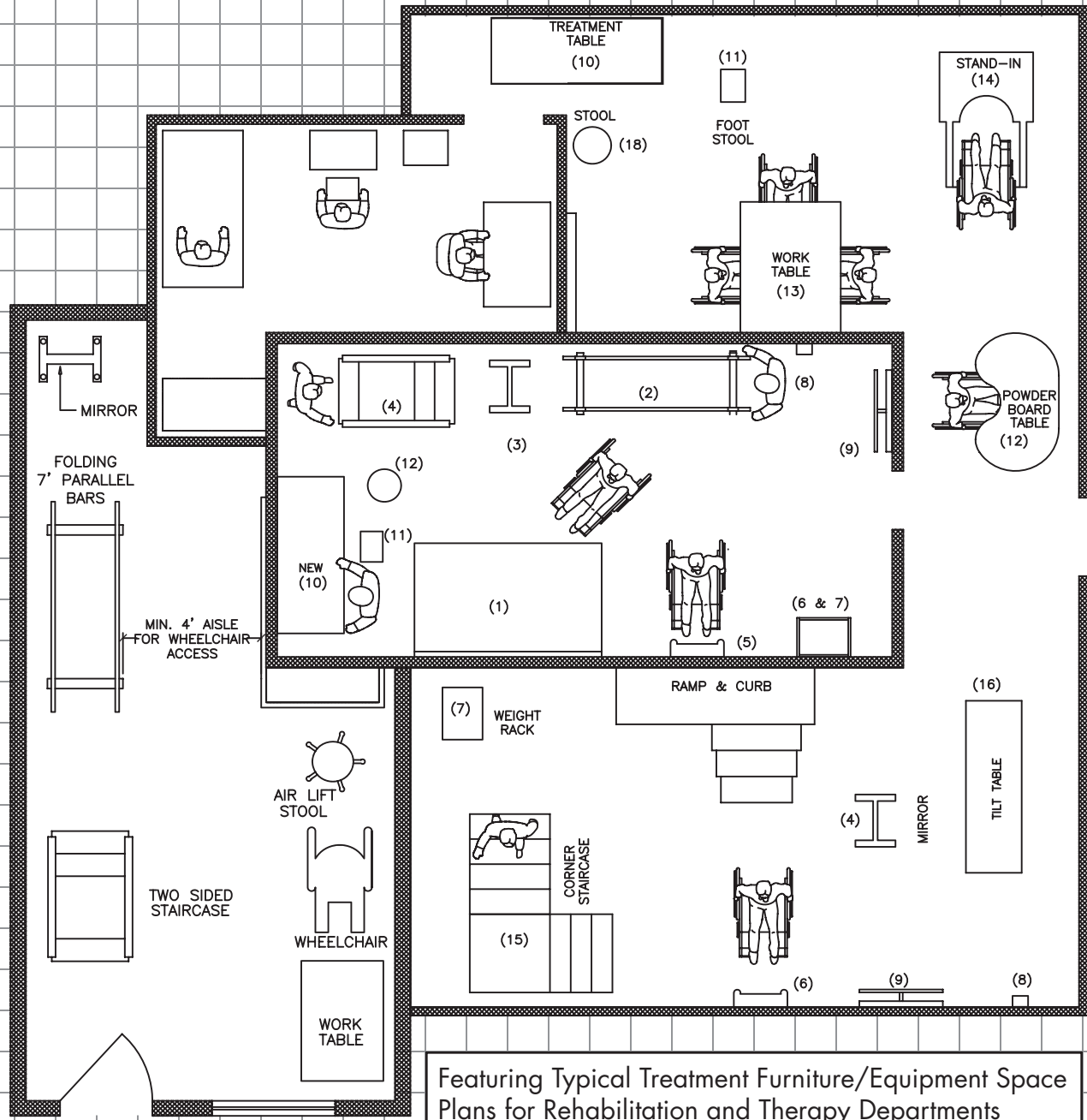




HAUSMANN SPACE PLANNING GUIDE

A helpful guide to make the most of your space



SPACE PLANNING GUIDELINES

Here are a few easy steps to design your own Therapy Department.

1. Measure the width, length and ceiling height of your floor space. Note the location of doors, windows, columns, electrical outlets, switches and plumbing (if applicable). See example of basic therapy department below.
2. Determine and plan for peak patient load and any special needs of your patients.
3. Factor in traffic flow for both patients and staff as per American Disabilities Act (A.D.A.) guidelines.
4. Check off the Hausmann therapy products on pages 3, 4 and 5, that you require for your department. Request installation instructions for any wall mounted device in advance of construction so contractor can provide appropriate wall support.
5. Use ¼" scale graph paper and Hausmann template to create a floor plan layout that best reflects your space, equipment needs and budget.
6. We have enclosed typical dimensions of Exercise and Hydrotherapy Equipment in the event you want to integrate these "other" items with Hausmann Treatment Furniture and Tables.
7. Fax or email your layout to us as well as your equipment "wish-list". We will provide you with a Free Estimate and offer recommendations to maximize your space.

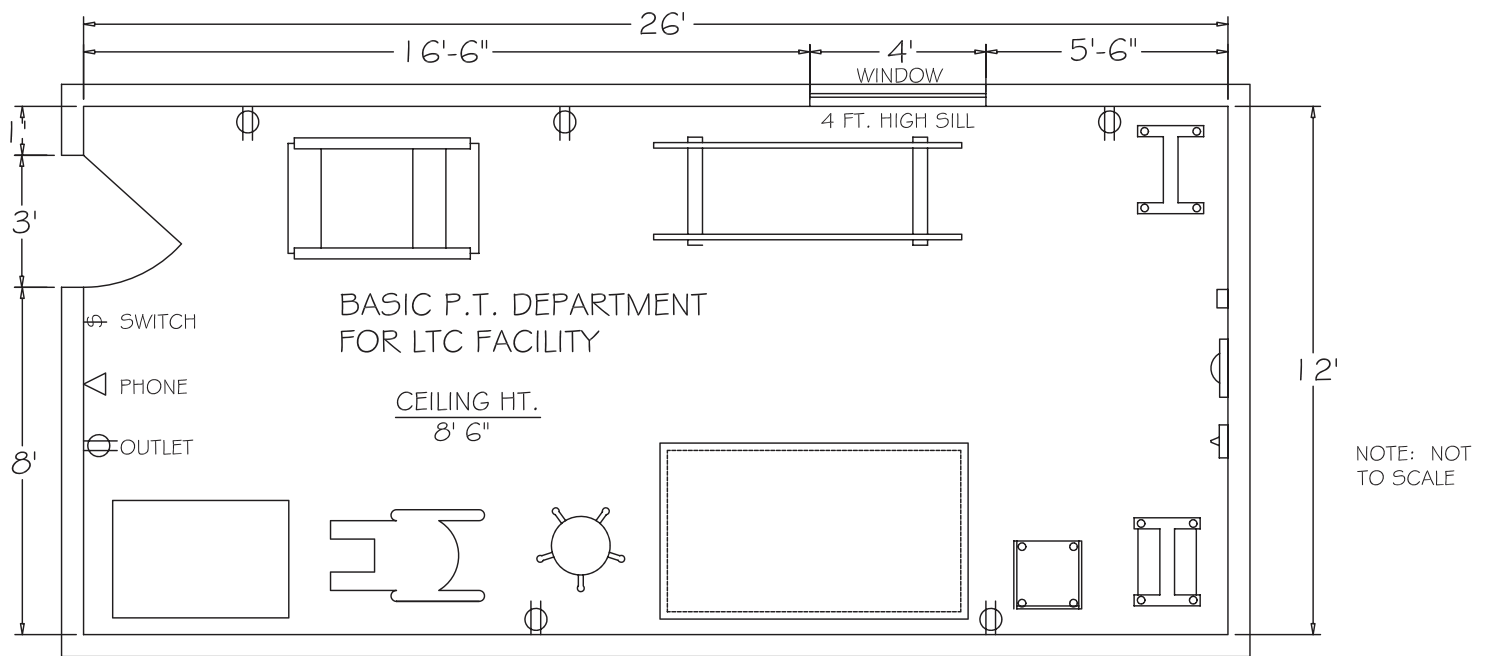


Table of Contents

Space Planning Guidelines	2
Therapy Equipment Check List	3 - 5
Plan A - Large PT Department	6 - 7
Plan B - Small PT Department	8 - 9
Plan C - Medium PT Department	8 - 9
Plan D - "Space Saver" PT Room	10 - 11
Plan G - Small/Med OT Department	12 - 13
Plan H - Large OT Department	12 - 13
Bariatric Therapy Room	14
Equipment Dimensions	15
A.D.A. Wheelchair Clearances	16

Therapy Equipment Checklist

(Check off model numbers that you need for your facility)

A. THERAPY TREATMENT FURNITURE

	HI#	Qty Req'd	Budget Est.
Treatment Tables (See Catalog for sizes, options)			
<input type="checkbox"/> Plinth, H-Brace	4002	_____	_____
<input type="checkbox"/> Plinth, with Shelf	4024	_____	_____
<input type="checkbox"/> Wall Folding Treatment Table	4075	_____	_____
<input type="checkbox"/> Space-Saver with Shelf	4124	_____	_____
<input type="checkbox"/> Crank Hydraulic Treatment Table with Shelf	4705	_____	_____
<input type="checkbox"/> Bariatric Treatment Table	4074	_____	_____
Power Treatment Tables			
<input type="checkbox"/> Hi-Lo Pedestal Style, A.D.A.	4756	_____	_____
<input type="checkbox"/> Electric Treatment Table, Cabinet Style	4717	_____	_____
<input type="checkbox"/> Hi-Lo Pedestal, Power Back, Bariatric, 600 lbs. capacity, UL	4795	_____	_____
<input type="checkbox"/> Hi-Lo Treatment, Power Back, Bariatric, 600 lbs. capacity	4797	_____	_____
Sectional Therapy Tables			
<input type="checkbox"/> Hi-Lo, Electric, 3 Section	6053	_____	_____
<input type="checkbox"/> Hi-Lo, Electric, 2 Section	4710	_____	_____
<input type="checkbox"/> Hi-Lo, Electric, 3 Section	6074	_____	_____
Tilt Tables			
<input type="checkbox"/> Manual Crank	6020-709	_____	_____
<input type="checkbox"/> Electric	6040-709	_____	_____
<input type="checkbox"/> Electric and Hi-Lo, A.D.A.	6058	_____	_____
<input type="checkbox"/> Electric and Hi-Lo, Bariatric, 500 lbs. capacity	6045-709	_____	_____
Stand-In Tables			
<input type="checkbox"/> Manual	6125	_____	_____
<input type="checkbox"/> Hydraulic Height Adjustable	6100	_____	_____
<input type="checkbox"/> Electric Hi-Lo and Patient Lift, 350 lbs. capacity	6180	_____	_____
<input type="checkbox"/> Electric Hi-Lo and Patient Lift, 300 lbs. capacity	6175	_____	_____
<input type="checkbox"/> Electric Hi-Lo and Patient Lift, Bariatric, 500 lbs. capacity	6185	_____	_____
Examination Tables			
<input type="checkbox"/> Manual, Fixed Height, Right Hand	4420	_____	_____
<input type="checkbox"/> Power Wheelchair Accessible, Right Hand	4460	_____	_____
<input type="checkbox"/> Fixed Height, Power Back Bariatric, 600 lbs. capacity	4416	_____	_____
<input type="checkbox"/> Manual, XL-Wide-Back Exam Table	4412	_____	_____
Mat Platforms and Mats (Most Models shown are 5'x7', other sizes available)			
<input type="checkbox"/> Fixed height with upholstered top, 5'x7'	1412	_____	_____
<input type="checkbox"/> Mat for Platforms or floor, 5'x7'	3002	_____	_____
<input type="checkbox"/> Wall Folding Mat Platform, 4'x7'	1420	_____	_____
<input type="checkbox"/> Crank Hydraulic Mat Platform, 5'x7'	1425	_____	_____
<input type="checkbox"/> Electric Hi-Lo Mat Platform, 5'x7'	1440	_____	_____
<input type="checkbox"/> Electric Hi-Lo Mat Platform, Bariatric, 5'x7', 750 lbs. capacity	1427	_____	_____
<input type="checkbox"/> Electric Hi-Lo Mat Platform, 5'x7'	1441	_____	_____
<input type="checkbox"/> Electric Hi-Lo Mat Platform with Power Back, 5'x7'	1428	_____	_____
<input type="checkbox"/> Electric Mat Platform, Bariatric, 5'x7', 1100 lbs. capacity	1429	_____	_____

B. AMBULATION & GAIT TRAINING

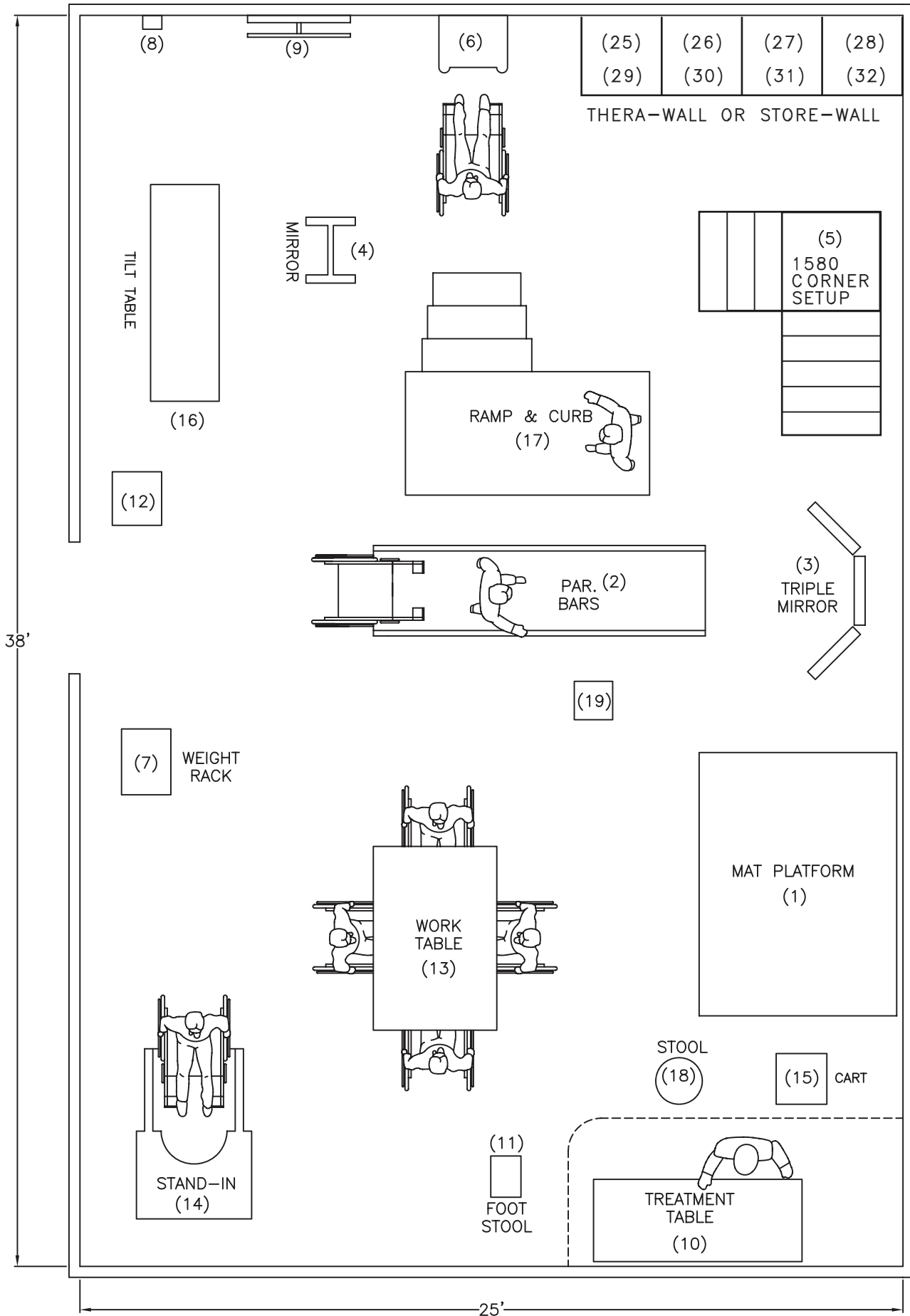
	HI#	Qty Req'd	Budget Est.
Parallel Bars (Platform Models shown are 10' long, other lengths are available)			
<input type="checkbox"/> Folding, 7' long	1319	_____	_____
<input type="checkbox"/> Folding, 9' long	1318	_____	_____
<input type="checkbox"/> Platform, Height Adjustable, 10' long	1300	_____	_____
<input type="checkbox"/> Platform, Height and Width Adjustable, 10' long	1390	_____	_____
<input type="checkbox"/> Platform with Placement Ladder and Balance Beam, 10' long	1393	_____	_____
<input type="checkbox"/> Platform, Crank Height Adjustable, 10' long	1365	_____	_____
<input type="checkbox"/> Platform, Electric Height Adjustable, 10' long	1361	_____	_____
<input type="checkbox"/> Platform, Electric Height and Width Adjustable, 10' long	1362	_____	_____
<input type="checkbox"/> Platform, Electric Height Adjustable, Placement Ladder & Beam	1398	_____	_____
<input type="checkbox"/> Platform, Manual Height & Width Adj, Bariatric, 600 lbs. cap.	1386	_____	_____
<input type="checkbox"/> Platform, Electric Height Adjustable	1396	_____	_____
Training Staircases			
<input type="checkbox"/> Single Side, Straight	1567	_____	_____
<input type="checkbox"/> Two-Side "Mini" Staircase	1566	_____	_____
<input type="checkbox"/> Convertible - Straight or Corner	1560-65-036	_____	_____
<input type="checkbox"/> 3-in-1 Training Staircase	1570	_____	_____
<input type="checkbox"/> Ramps & Curbs	1200	_____	_____
<input type="checkbox"/> Nested Footstools	2410	_____	_____
<input type="checkbox"/> Bariatric Staircase, Straight, 750 lbs. capacity	1564	_____	_____
<input type="checkbox"/> A.D.A. Convertible "Space Saver" Staircase	1580	_____	_____
Mirrors			
<input type="checkbox"/> Single Mirror, Portable	1671	_____	_____
<input type="checkbox"/> Triple Mirror	1670	_____	_____
<input type="checkbox"/> Wall Mounted Mirror	1672	_____	_____
C. EXERCISE EQUIPMENT & ACCESSORIES			
<input type="checkbox"/> Adjustable Magnetic Shoulder Wheel	2519	_____	_____
<input type="checkbox"/> Shoulder Ladder	2515	_____	_____
<input type="checkbox"/> Chest Pulley	2626	_____	_____
<input type="checkbox"/> Duplex Pulley	2629	_____	_____
<input type="checkbox"/> Triplex Pulley	2631	_____	_____
<input type="checkbox"/> Overhead Pulley	S-950	_____	_____
<input type="checkbox"/> Mobile Combo Duplex Pulley, Mirror, with Accessories	5561-100	_____	_____
Weights & Dumbbells			
<input type="checkbox"/> Wrist and Ankle Weights, Set of 16	5581	_____	_____
<input type="checkbox"/> Dumbbells, Set of 10	5505	_____	_____
<input type="checkbox"/> Weight/Dumbbell Rack with Accessories	5560-100	_____	_____
<input type="checkbox"/> Mobile Weight/Storage Rack with Accessories	5569-100	_____	_____
<input type="checkbox"/> Combination Weights & Dumbbells Rack with Accessories	5565-100	_____	_____
<input type="checkbox"/> Mega Rack with Accessories	5562-100	_____	_____
Exercise Accessories			
<input type="checkbox"/> Powder Board Table	6642	_____	_____
<input type="checkbox"/> Powder Board, Portable	6611	_____	_____
<input type="checkbox"/> Exercise Skates	5216, 5217	_____	_____
<input type="checkbox"/> Hand Dynamometer	8983	_____	_____

	HI#	Qty Req'd	Budget Est.
D. POSITIONING (Partial list - See catalog for other pillow sizes and shapes)			
<input type="checkbox"/> Wedge Pillows	36	_____	_____
<input type="checkbox"/> Wedges, Anti-slip	41	_____	_____
<input type="checkbox"/> Bolsters	30	_____	_____
<input type="checkbox"/> Wedges, Set of 4	3004	_____	_____
<input type="checkbox"/> Table Pillows	32	_____	_____
E. SELF HELP			
<input type="checkbox"/> Transfer Board	5086-30	_____	_____
<input type="checkbox"/> Transfer Board, Bariatric, 500 lbs. capacity	5085	_____	_____
F. THERAPY COMPLETE SYSTEMS			
<input type="checkbox"/> Cubex	6690	_____	_____
<input type="checkbox"/> Table Mounted Finger Ladder	2525	_____	_____
G. ACTIVITY / WORK TABLES & EQUIPMENT			
<input type="checkbox"/> Horseshoe Activity Table	6674	_____	_____
<input type="checkbox"/> Laminate Top, Adjustable Height Legs	S-740	_____	_____
<input type="checkbox"/> Four Person Crank Hydraulic, 66"x48"	4320	_____	_____
<input type="checkbox"/> Two Person Crank Hydraulic, 60"x36"	4300	_____	_____
<input type="checkbox"/> Crank Height, Laminate Top, 66"x48"	4327	_____	_____
<input type="checkbox"/> Crank Height, Butcher Block Top, 60" x 28"	4325	_____	_____
<input type="checkbox"/> 48" Round Hydraulic Table	4335	_____	_____
<input type="checkbox"/> Electric Height Adjustable Table, 60"x36"	4375	_____	_____
<input type="checkbox"/> Electric Height Adjustable Work Table, 66"x48"	4380	_____	_____
<input type="checkbox"/> Hand Therapy Table	4343	_____	_____
<input type="checkbox"/> Splint Cart	6695	_____	_____
H. STOOLS & SEATING			
<input type="checkbox"/> "Dual" Foot and Hand Operated	2154	_____	_____
<input type="checkbox"/> Revolving	2116	_____	_____
<input type="checkbox"/> Pneumatic Air-Lift, Single Handle	2153	_____	_____
<input type="checkbox"/> Pneumatic Air-Lift, 360° Handle	2157	_____	_____
<input type="checkbox"/> Footstool, Bariatric, 1000 lbs. capacity	2018	_____	_____
<input type="checkbox"/> Footstool with Handrail, Bariatric, 1000 lbs. capacity	2038	_____	_____
<input type="checkbox"/> Bariatric Wood 2-Step Footstool, 500 lbs. capacity	2218	_____	_____
<input type="checkbox"/> Heavy-Duty Pneumatic Air-Lift, "D" Chrome Handle	2151	_____	_____
<input type="checkbox"/> Pneumatic Air-Lift with Backrest, 360° Handle	2156-707	_____	_____
I. CABINETS & CARTS			
<input type="checkbox"/> Cart, Mobile, 1 Drawer and Open Storage	9029-8	_____	_____
<input type="checkbox"/> Tall Storage Cabinet	8248-84	_____	_____
<input type="checkbox"/> Cart, Mobile, 3 Drawers	9038-20	_____	_____
J. CHROMEWARE / AUXILIARY EQUIPMENT			
<input type="checkbox"/> Gooseneck Lamp	2182	_____	_____
<input type="checkbox"/> 4-Hook I.V. Pole	2188	_____	_____
<input type="checkbox"/> Mayo Tray Stand	2181	_____	_____
<input type="checkbox"/> Mobile Hamper Stand	2189	_____	_____
<input type="checkbox"/> Other: _____	_____	_____	_____

PLAN A EQUIPMENT LIST: LARGE PHYSICAL THERAPY DEPARTMENT

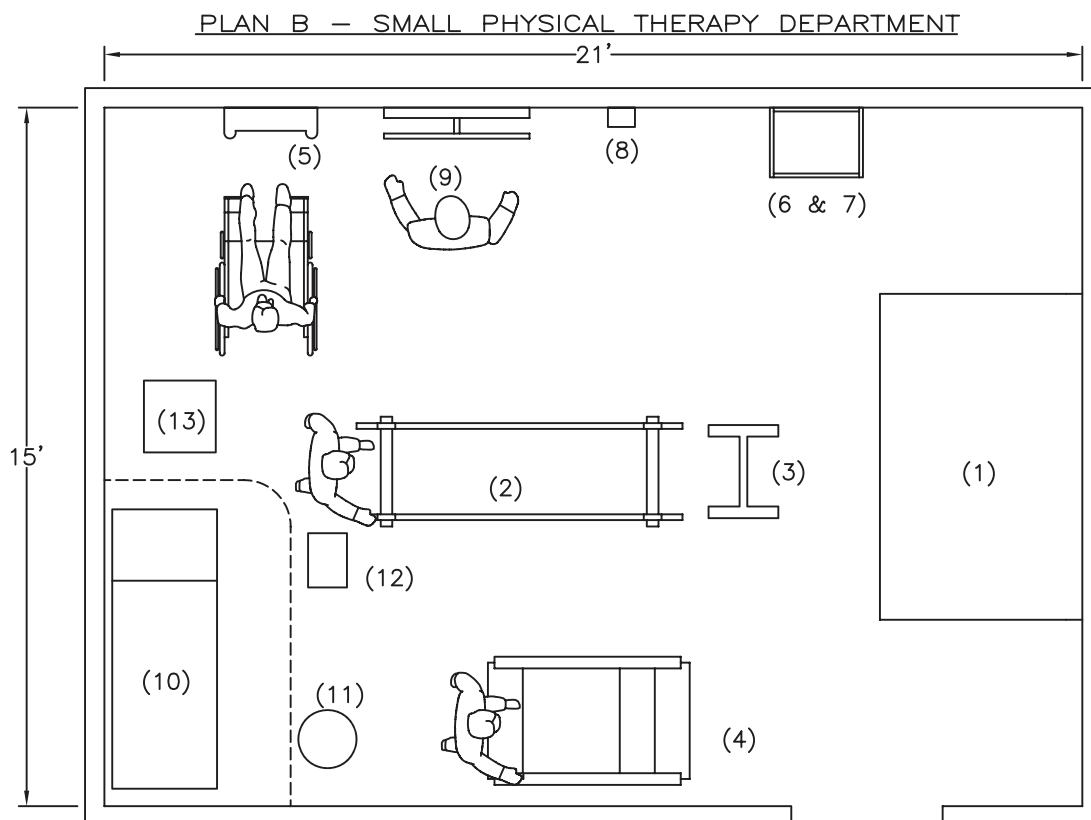
QTY REQ'D	NO.	EQUIPMENT DESCRIPTION	BASIC OR MANUAL	HYDRAULIC OR CRANK	ELECTRIC	BARIATRIC
	1	Mat Platform	1412-57	1425-57	1440-57	1429-57
	2	Parallel Bars, Platform Mounted	1390	1365 (Crank)	1361	1386
	3	Mirror, Triple	1670	X	X	X
	4	Mirror, Single	1671	X	X	X
	5	Staircase, A.D.A	1580	X	X	1564
	6	Duplex Pulleys	2629	X	X	X
	7	Weight Rack, Weights	5565-100	X	X	X
	8	Shoulder Ladder	2515	X	X	X
	9	Shoulder Wheel	2519	X	X	X
	10	Treatment Table	4002	4705	6053	4795
	11	Footstool with Handrail	2030	X	X	2038
	12	Mobile Hamper Stand	2189	X	X	X
	13	Work Table	S-740	4320	4380	X
	14	Stand-In Table	6125	6100	6175	6185
	15	Cart	9029-8	X	X	X
	16	Tilt Table	X	6020 (Crank)	6058	6045
	17	Curb and Ramp	1200	X	X	X
	18	Adjustable Height Stool	2116	2157 (Pneumatic)	X	2151
	19	Fixed Height Stool	2300	X	X	X
	20	Powder Board Table	6642	X	X	X
	21	Hand Dynamometer	8983	X	X	X
	22	Exercise Skates	5216, 5217	X	X	X
	23	Transfer Boards	5086-30	X	X	5085
	24	Positioning Pillows	3004	X	X	X
	25	Thera-Wall A	8250-100	X	X	X
	26	Thera-Wall B	8251	X	X	X
	27	Thera-Wall C	8252-100	X	X	X
	28	Thera-Wall D	8253	X	X	XX
	29	Store-Wall A	8255	X	X	X
	30	Store-Wall B	8256	X	X	X
	31	Store-Wall C	8257	X	X	X
	32	Store-Wall D	8259	X	X	X

PLAN A - LARGE PHYSICAL THERAPY DEPARTMENT



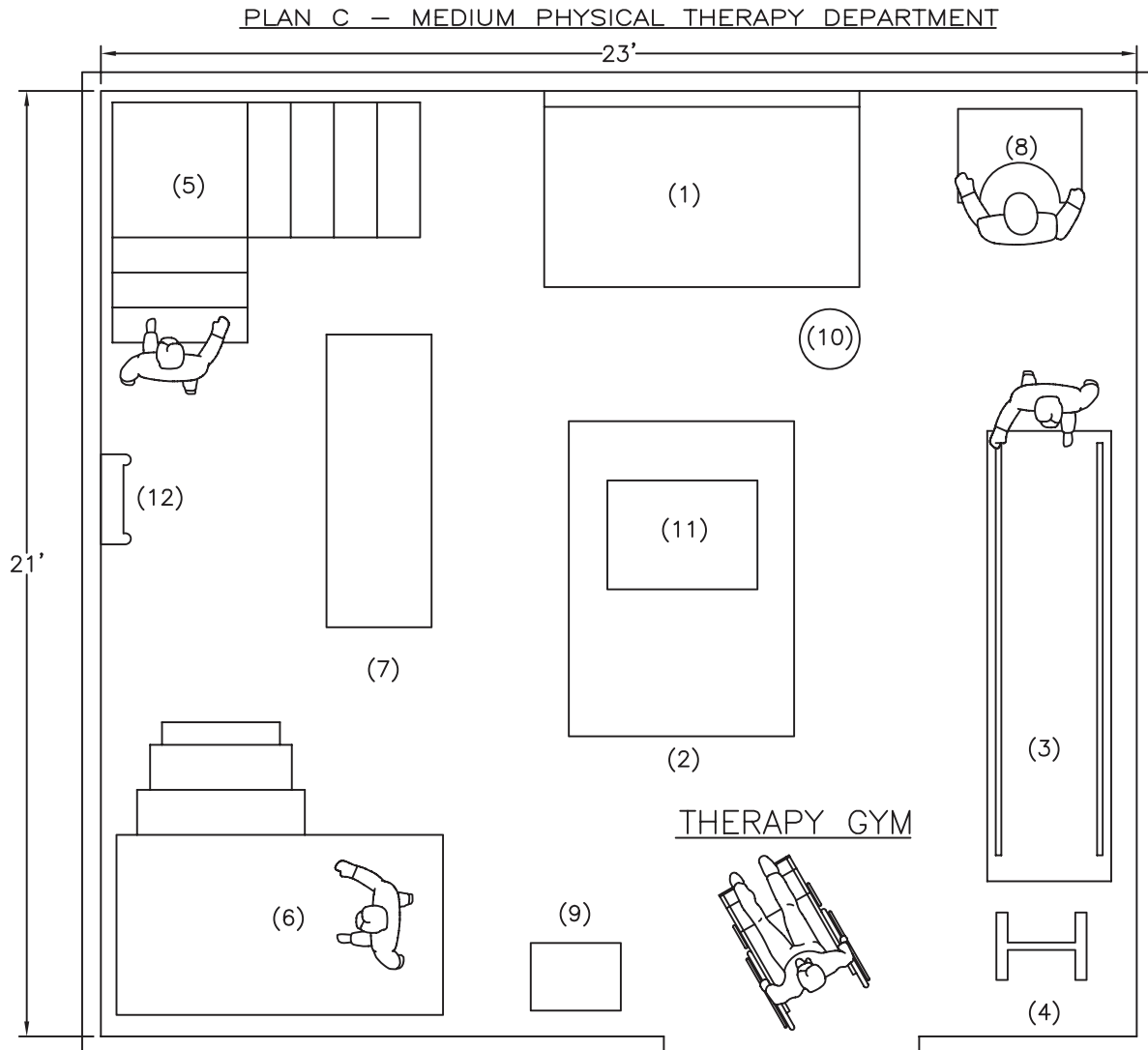
PLAN B EQUIPMENT LIST: SMALL PHYSICAL THERAPY DEPARTMENT

QTY REQ'D	NO.	EQUIPMENT DESCRIPTION	MODEL #
	1	Mat Platform, Stationary (or can be wall mounted)	1412-47
	2	Parallel Bars, Folding	1319
	3	Mirror, Portable	1671
	4	Staircase, "Mini"	1566
	5	Duplex Pulleys	2629
	6	Weight/Dumbbell Rack with Accessories	5560-100
	7	Set of (16) Weights	5581
	8	Shoulder Ladder	2515
	9	Magnetic Shoulder Wheel	2519
	10	Treatment Table, Space Saver	4124
	11	Stool, Pneumatic	2157
	12	Footstool with Handrail	2030
	13	Cart	9029-8



PLAN C EQUIPMENT LIST: MEDIUM PHYSICAL THERAPY DEPARTMENT

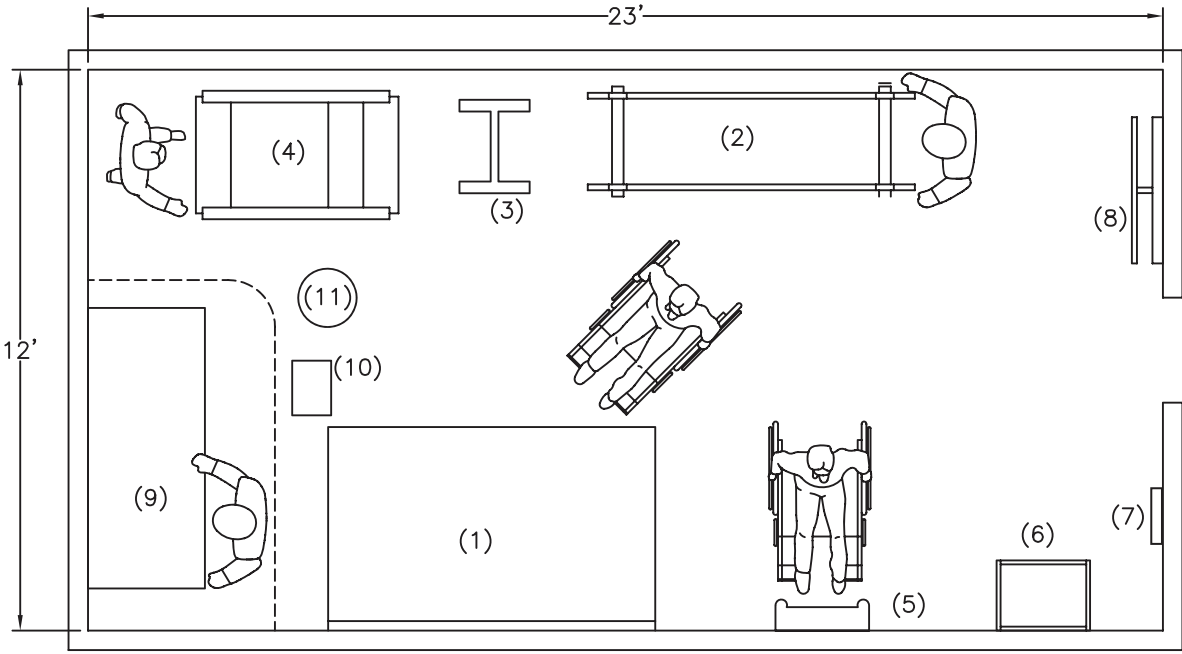
QTY REQ'D	NO.	EQUIPMENT DESCRIPTION	MODEL #
	1	Mat Platform, Wall Mounted, 4'x7'	1420
	2	Mat Platform, (5'x7'), Hi-Lo, Electric	1440-57
	3	Parallel Bars, Height and Width Adjustable, Platform Mounted	1361
	4	Mirror, Portable	1671
	5	Convertible Corner Staircase	1560-65-036
	6	Curb and Ramp Set	1200
	7	Tilt Table, Electric, Height Adjustable, A.D.A.	6058
	8	Stand-In Table, Electric with Hi-Lo Top	6180
	9	Weight/Dumbbell Rack with Accessories	5560-100
	10	Air-Lift Stool	2153
	11	Powder Board, Portable	6611
	12	Duplex Pulleys	2629



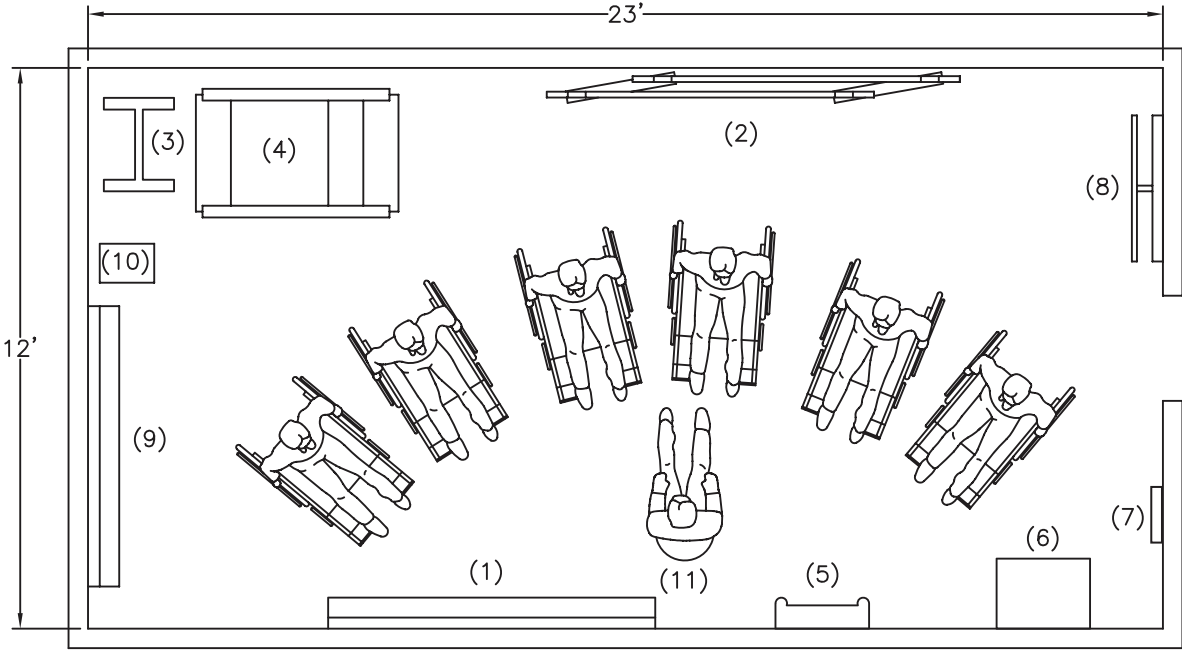
PLAN D EQUIPMENT LIST: "SPACE SAVER" PHYSICAL THERAPY DEPARTMENT

QTY REQ'D	NO.	EQUIPMENT DESCRIPTION	MODEL #
	1	Mat Platform, Space Saver, 4'x7'	1420
	2	Parallel Bars, Folding, 7'	1319
	3	Mirror, Portable	1671
	4	Staircase, "Mini"	1566
	5	Duplex Pulleys	2629
	6	Weight/Dumbbell Rack with Accessories	5560-100
	7	Overhead Pulley, Wall Mounted	S-950
	8	Shoulder Wheel	2519
	9	Treatment Table, Wall Folding	4075
	10	Footstool with Handrail	2038
	11	Revolving Stool	2116
	12	Powder Board	6611
	13	Hand Dynamometer	8983
	14	Transfer Boards	5086-30
	15	Positioning Pillows	3004

PLAN D
"SPACE SAVER"
PHYSICAL THERAPY DEPARTMENT
 EQUIPMENT "OPEN" – PT FUNCTION



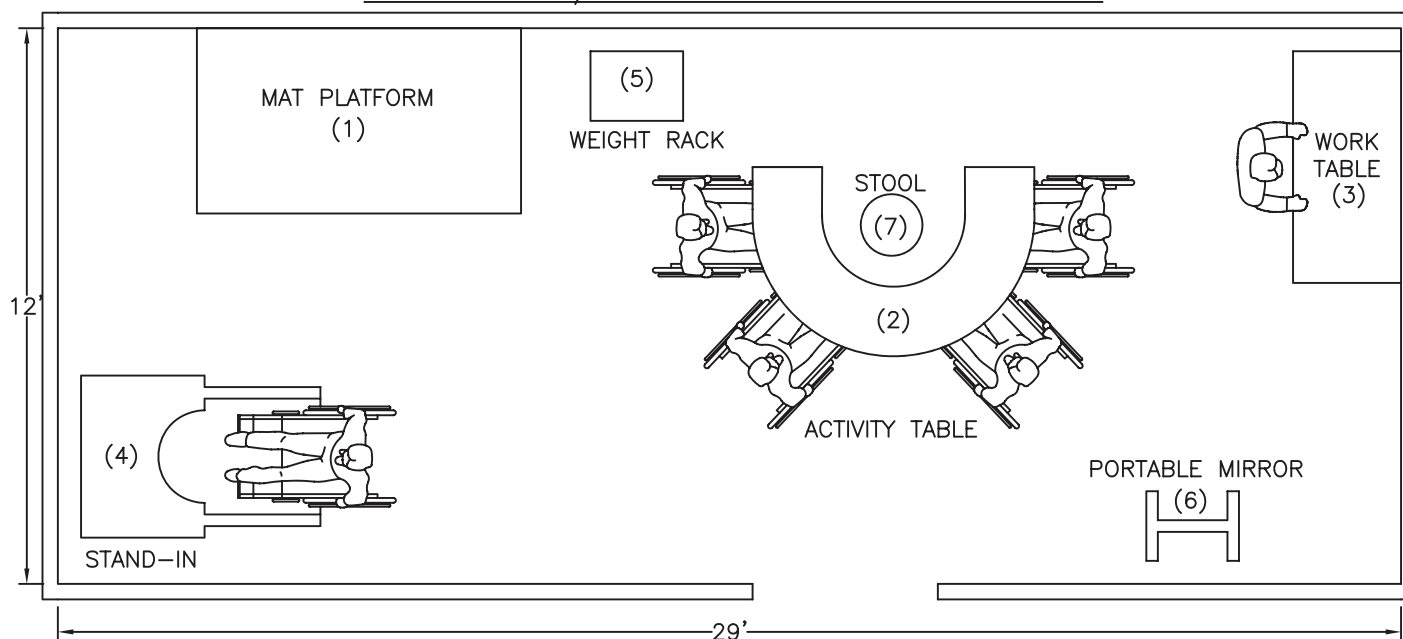
SAME ROOM – EQUIPMENT "CLOSED" – GROUP ACTIVITY FUNCTION



PLAN H EQUIPMENT LIST: SMALL/MEDIUM OCCUPATIONAL THERAPY DEPARTMENT

QTY REQ'D	NO.	EQUIPMENT DESCRIPTION	MODEL #
	1	Mat Platform, Folding	1420
	2	Activity Table, Horseshoe, 72"x48"	6674
	3	Activity/Work Table, 60"x28"	4325
	4	Stand-In Table, Electric	6180
	5	Mobile Weight Rack with Weights	5560-100
	6	Single Mirror, Portable	1671
	7	Air-Lift Stool	2153

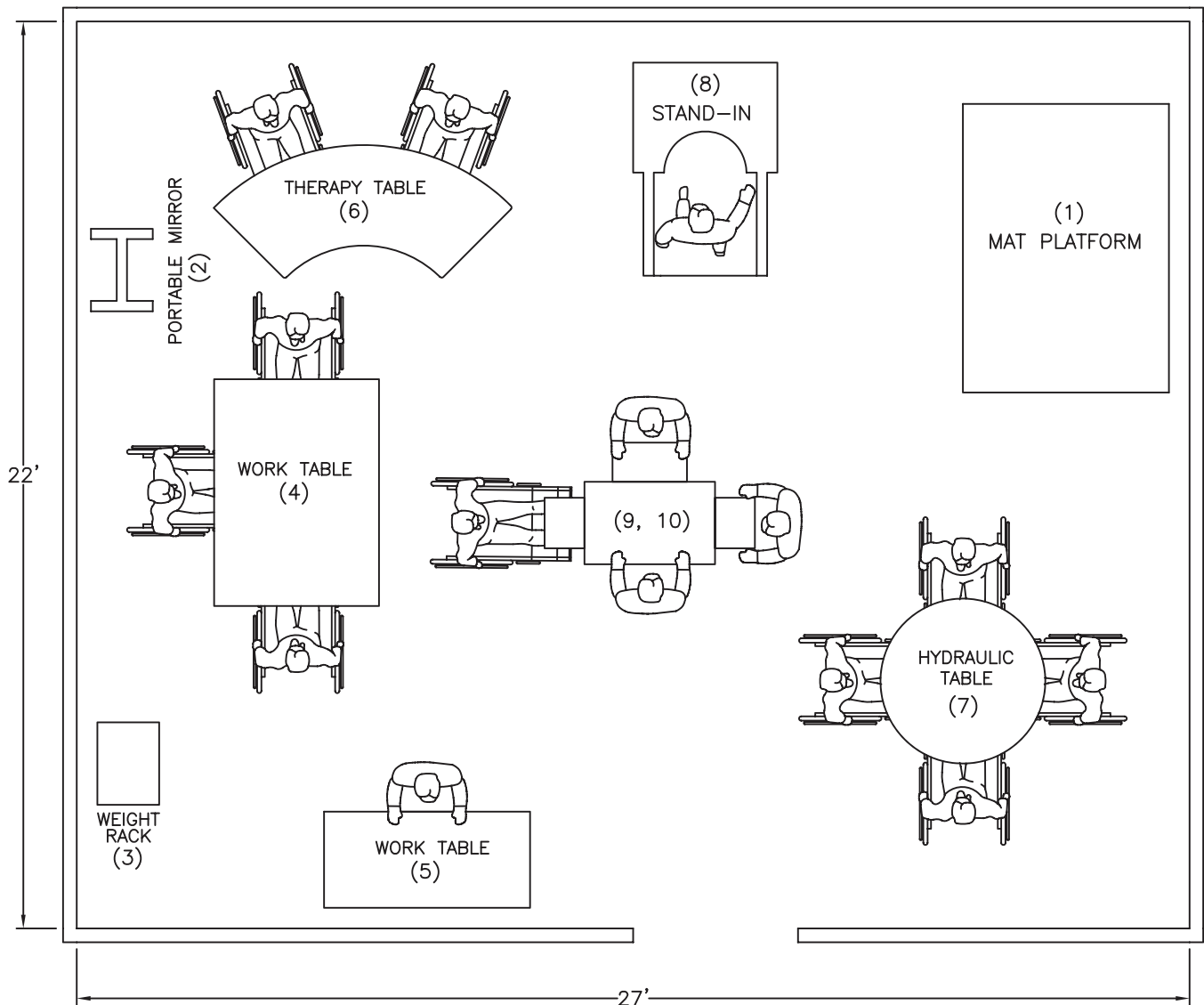
PLAN H – SMALL/MED. OCCUPATIONAL THERAPY DEPARTMENT



PLAN I EQUIPMENT LIST: LARGE OCCUPATIONAL THERAPY DEPARTMENT

QTY REQ'D	NO.	EQUIPMENT DESCRIPTION	MANUAL	ELECTRIC
	1	Mat Platform	1425-57	1440-57
	2	Mirror, Portable	1671	X
	3	Mobile Weight Rack with Weights & Dumbbells	5565-100	X
	4	Work Table	4320	4380
	5	Work Table, Crank Height	4325	X
	6	Therapy Table, Horseshoe	6674	X
	7	Round Hydraulic Table	4335	X
	8	Stand-In Table	6100	6180
	9	Cubex Therapy System	6690	X
	10	Finger Ladder, Table Mounted	2525	X
	11	Hand Dynamometer	8983	X
	12	Transfer Boards	5086-30	X

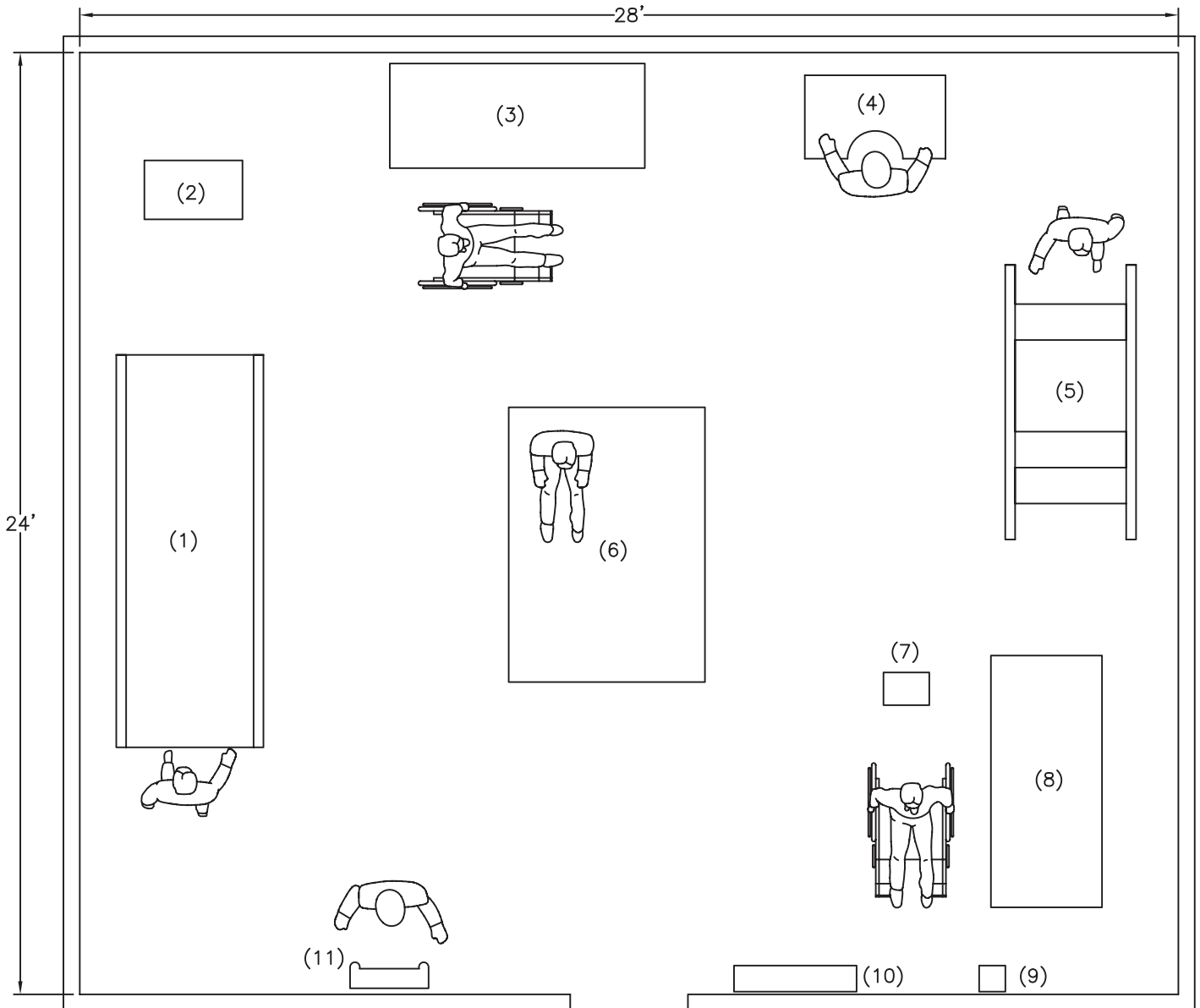
PLAN I – LARGE OCCUPATIONAL THERAPY DEPARTMENT



PLAN J EQUIPMENT LIST: MEDIUM BARIATRIC PHYSICAL THERAPY DEPARTMENT

QTY REQ'D	NO.	EQUIPMENT DESCRIPTION	MANUAL	ELECTRIC
	1	Bariatric Parallel Bars, Height & Width Adjustable	1386	X
	2	Weight/Dumbbell/Mirror Rack with Accessories	5560-100	X
	3	Bariatric Treatment Table	4074	4795
	4	Bariatric Stand-In Table, Hi-Lo with Patient Lift	X	6185
	5	Bariatric Staircase, 2 Sided	1564	X
	6	Bariatric Mat Platform, 5'x7'	1412-57	1427-57
	7	Bariatric Footstool	2018	X
	8	Bariatric Tilt Table, Electric	X	6045
	9	Finger Ladder	2515	X
	10	Shoulder Wheel	2519	X
	11	Duplex Pulley, Wall Mounted	2629	X

PLAN J – MEDIUM SIZE BARIATRIC PHYSICAL THERAPY DEPARTMENT

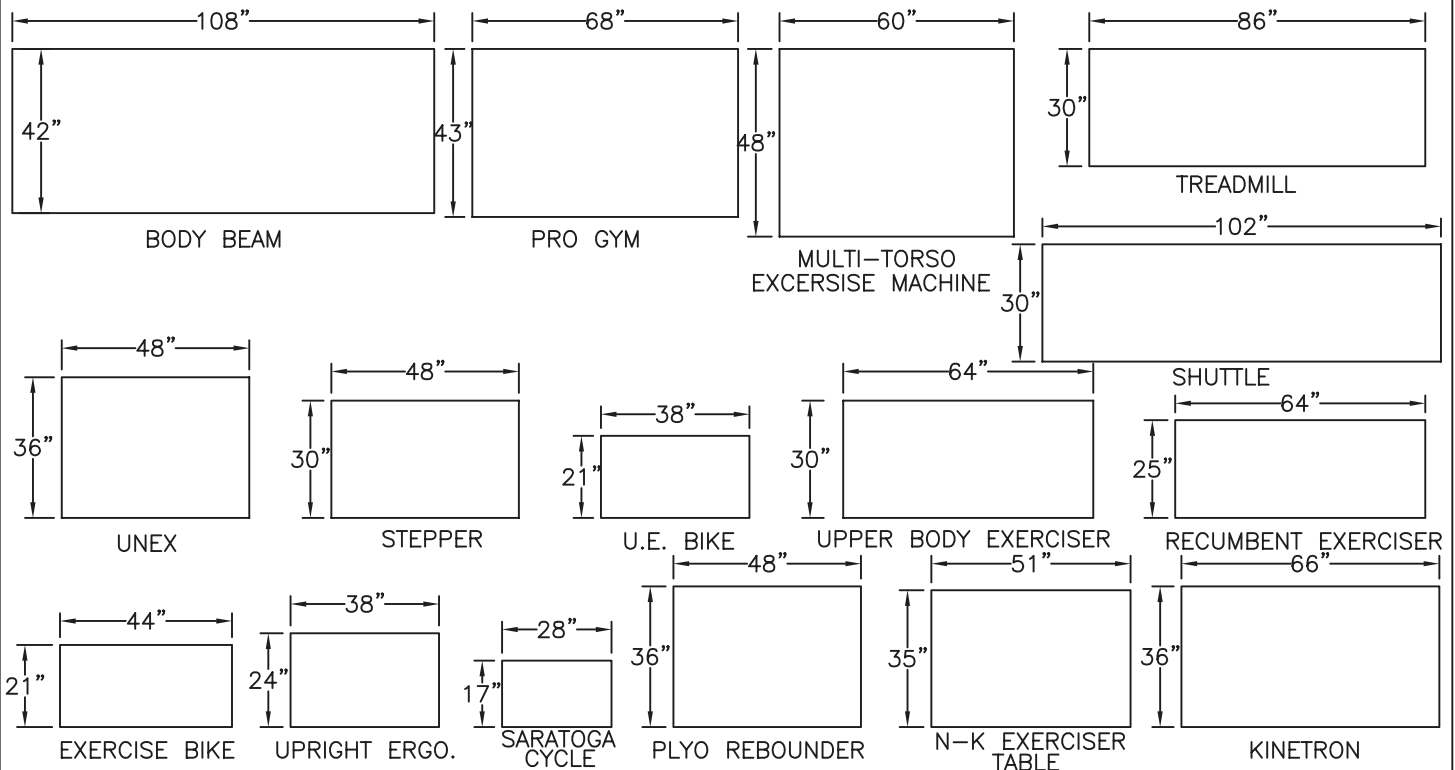


CUT AND PASTE ONTO
YOUR LAYOUT

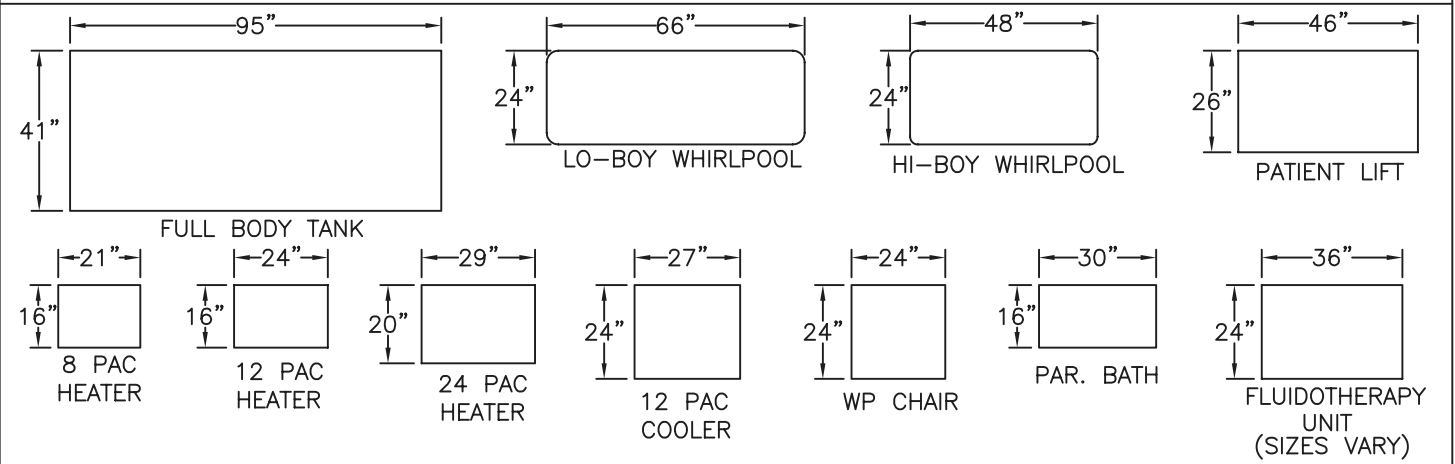
PHYSICAL THERAPY AND EXERCISE EQUIPMENT

SCALE: 1/4" = 1'

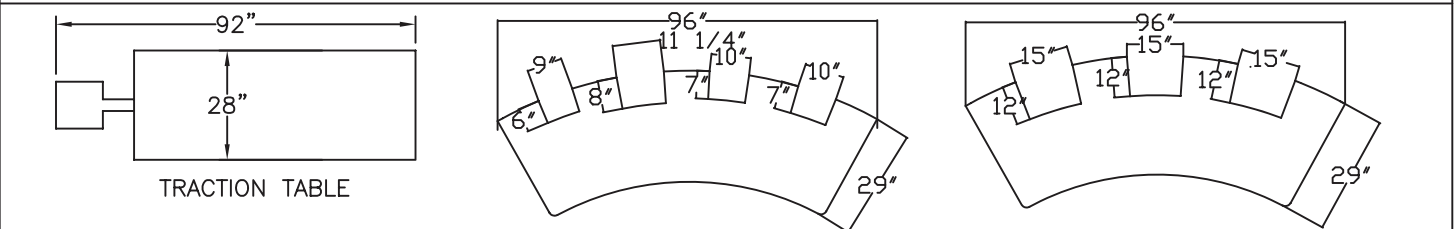
(THIS IS GENERAL INFORMATION - SIZES VARY BY BRAND AND MFG.
HENCE SIZES SHOWN ARE APPROXIMATE NOT EXACT)



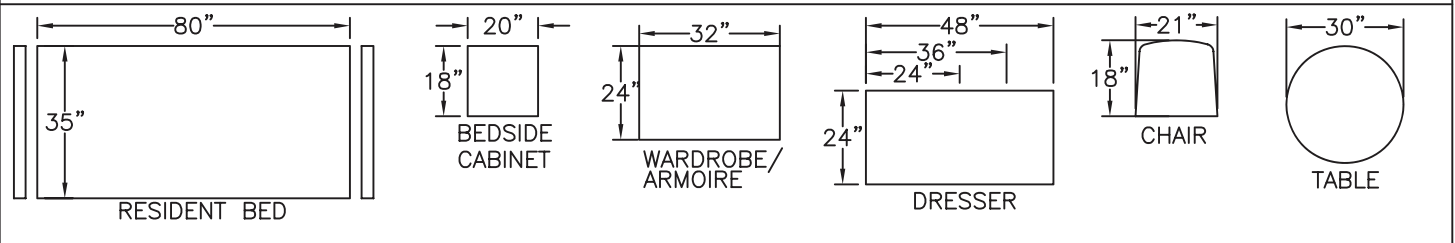
HYDROTHERAPY AND MODALITIES



OTHER EQUIPMENT



PATIENT ROOM FURNITURE AND ACCESSORIES



(SHOW WALLS, DOORS, WINDOWS, TREATMENT FURNITURE AND OUTLETS)

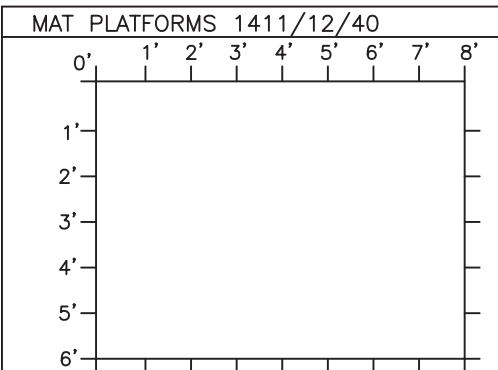
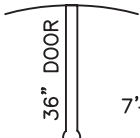
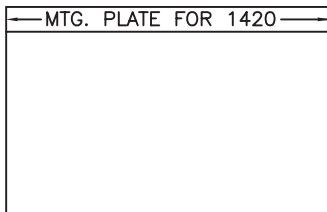
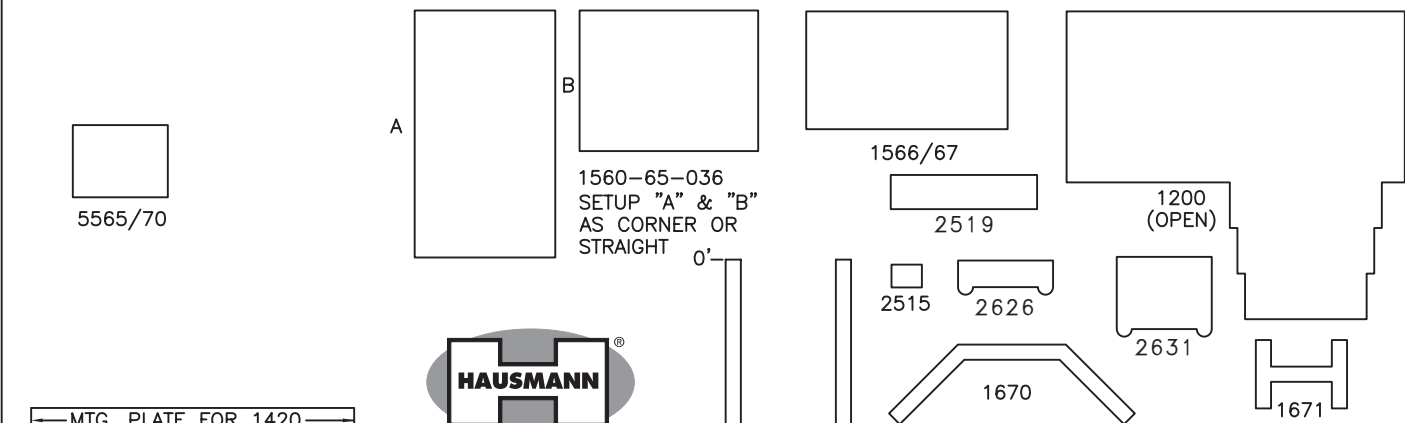


Wheelchair Clearance General Guidelines (*W.C. widths vary by Brand hence verify width of specific Model*)
Min. Footprint for Wheelchair depending on seat widths of 16" to 22" w: 26" to 36" wide x 48" long
Min. Passage width for single wheelchair: 36"
Min. Passage width for 1 wheelchair and 1 ambulatory person: 48"
Min. Passage width for 2 wheelchairs: 60"
Min. wheelchair Turning Radius: 60"
Seating clearance for WC at a Table (ie. distance of table front edge to wall) : 36"

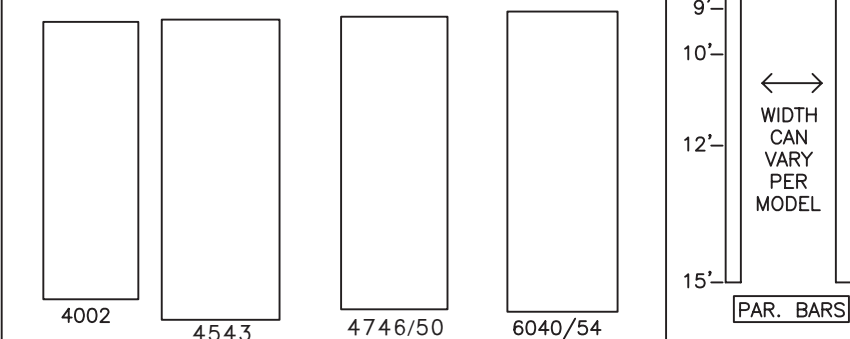
HAUSMANN INDUSTRIES PLANNING TEMPLATE

SCALE : 1/4" = 1'-0"

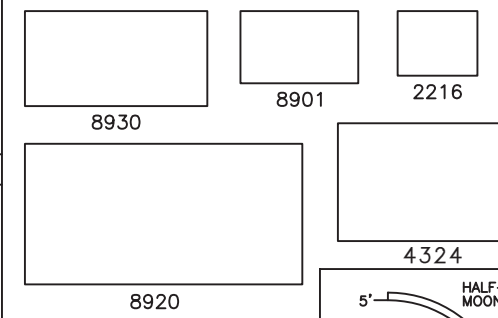
THERAPY EQUIPMENT AND TREATMENT FURNITURE



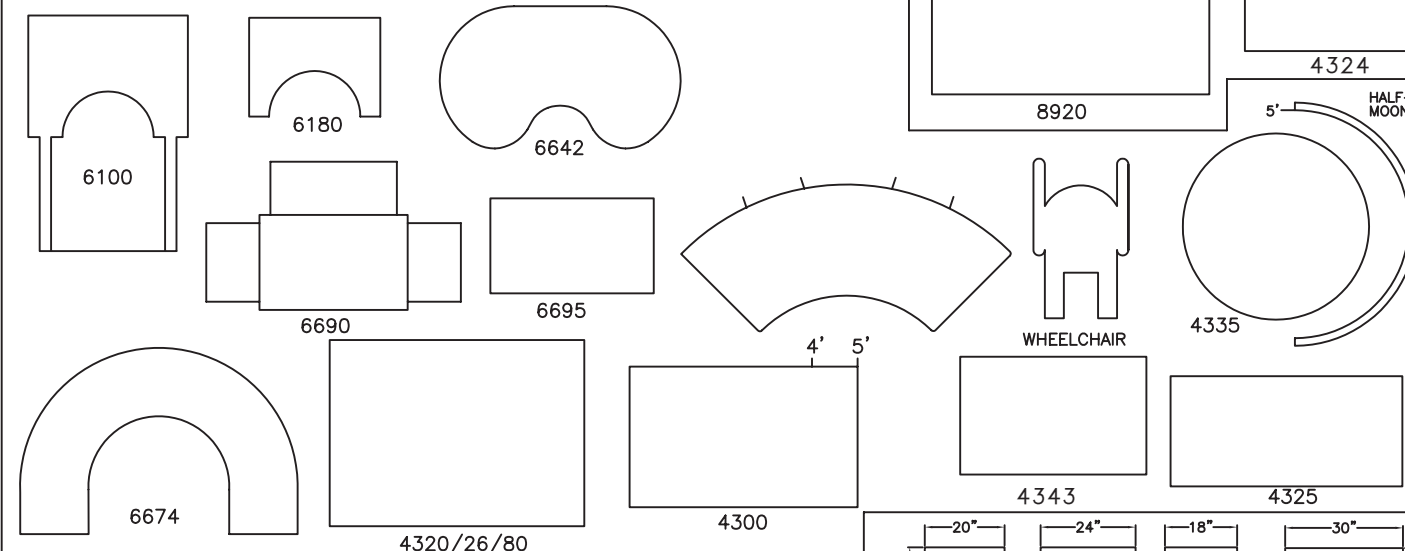
TREATMENT AND THERAPY TABLES



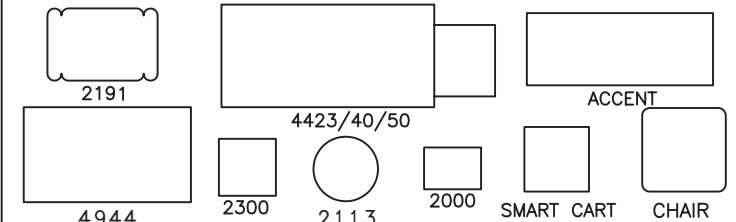
WORK CONDITIONING



WORK/THERAPY TABLES AND UNITS



MEDICAL OFFICE TABLES AND FURNITURE



SINKS

